

Harvia VEGA



Easy-to-use novelty!

Vega is easy to mount on a separate wall rack. The right- or left-handedness of the heater can be changed by mounting the heater to the wall rack correspondingly.

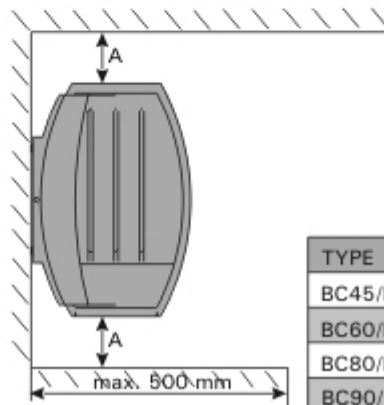
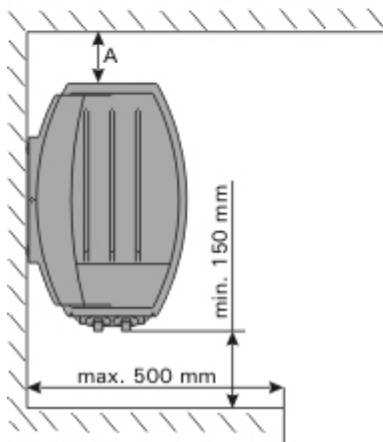
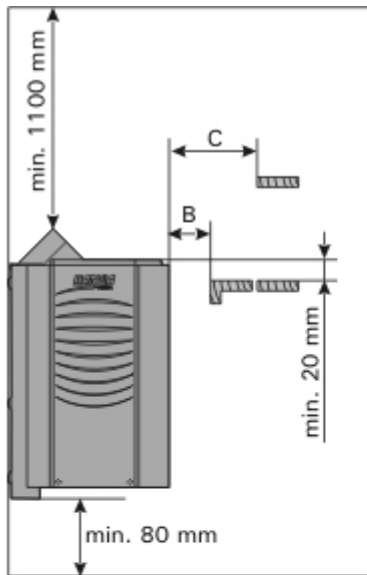
Vega can be mounted very low on the sauna wall so it provides enough heat for the lower benches as well.

Technical information:

Modell	BC45	BC60	BC80
Output kW	4,5	6,0	8,0
Sauna room min. m ³	3	5	7
Sauna room max. m ³	6	8	12
Sauna room height min cm	190	190	190
Dimensions/mm width	480	480	480
Dimensions/mm height	540	540	540
Dimensions/mm depth	310	310	310
Weight kg	11	11	11
Supply voltage 3-phase	400V 3N	400V 3N	400V 3N
Connection cable mm ²	5 x 1,5	5 x 1,5	5 x 2,5
Fuse A	3 x 10	3 x 10	3 x 16
Rock holding max. kg	25	25	25
Safety distance/mm: to wall A	35	50	100
Safety distance/mm: to front lower platform B	20	20	30
Safety distance/mm: to upper platform C	35	50	80
Safety distance/mm: to ceiling	1100	1100	1100
Safety distance/mm: to floor	80	80	80

<http://www.sauna-life.com>

SAUNA LIFE



TYPE	A min. mm
BC45/BC45E	35
BC60/BC60E	50
BC80/BC80E	100
BC90/BC90E	120