



Technical data sheet

NEW PRODUCT

Taureus

**Sauna heater for commercial saunas.
Floor-standing model.**

Exclusive sauna heater of the premium class in distinctive round design. Ideal for placement in front of glass walls or in the centre of the sauna.

Your advantages:

- 160 kg sauna stone volume for the perfect "loylu" effect
- Exclusive design with open rock store.
- Improved inner construction with better air circulation for faster heat-up times.
- Ideal for placement in front of glass or in the centre of the sauna, all sides look alike.
- Made in Germany quality from EOS.

Specifications:

Corner posts:	Steel (8mm) special paint in rusty color
Top:	Stainless steel
Base:	Stainless steel
Terminal box:	Stainless steel
Power range:	12, 16, 20, 24, 30 und 36 kW
Power supply:	400 V 3N AC 50 Hz
Stone filling:	160 kg
Dimensions:	Ø 70 x 125 cm
Installation:	Floor-standing

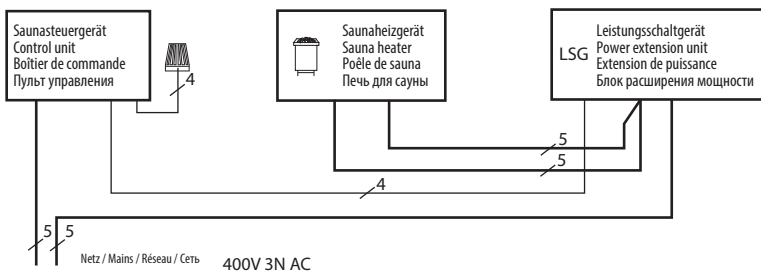


MADE IN GERMANY

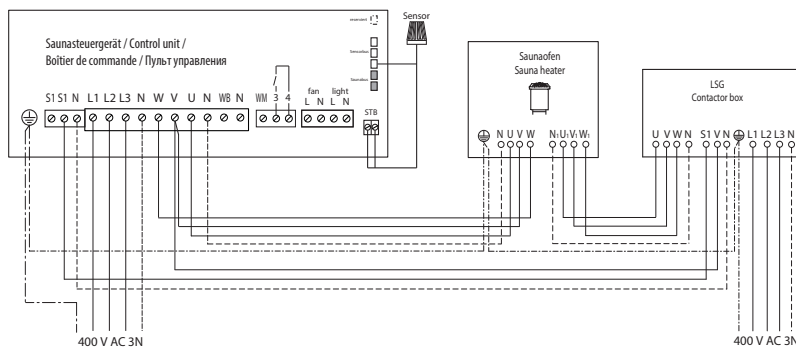


Connection diagram

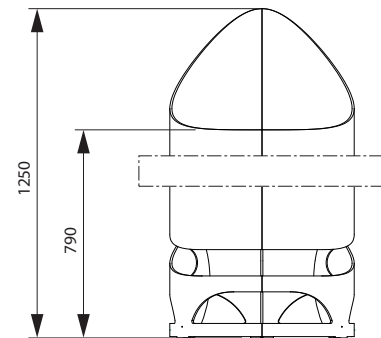
12 - 36 kW



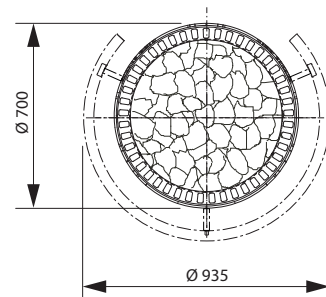
12,0 - 36,0 kW



Dimensions



Dimensions in mm



Spare heating elements

Description	Item no.
Für 12,0 kW (12 x 1000 W)	20011599
Für 16,0 kW (12 x 1333 W)	20011598
Für 20,0 kW (12 x 1666 W)	20013763
Für 24,0 kW (12 x 2000 W)	20013931
Für 30,0 kW (12 x 2500 W)	20015943
Für 36,0 kW (12 x 3000 W)	20015944

Technical specifications

Item no.	Power output	Electrical connection	Fuse protection control unit	Fuse protection LSG unit	Dimensions D x H in cm	For sauna cabin size	Min. size of air inlet and outlet	Weight without rocks	SStone filling	Power extension required
94.6452	12,0 kW	3N AC 50 Hz 400 V	3 x 16 A	3 x 16 A	Ø 70 x 125			~140 kg	~160 kg	ja
94.6453	16,0 kW									
94.6454	20,0 kW									
94.6455	24,0 kW									
94.6457	30,0 kW									
94.6458	36,0 kW									