

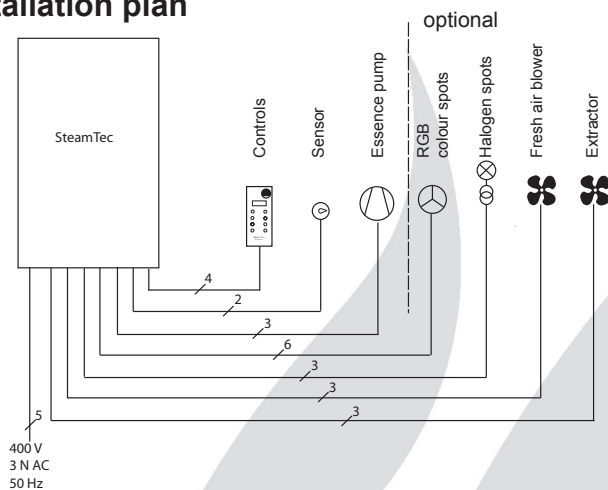
Steam generator SteamTec Premium

Steam generator for public steam cabins

A high performance steam generator for public use with multi-function controls, steam outlet (1 1/4 ") and a temperature sensor (NTC 1000 ohms / 25°C)

Automatic cleaning and decalcifying. These procedure creates approx. 5 l waste water per rinsing/decalcifying

Installation plan

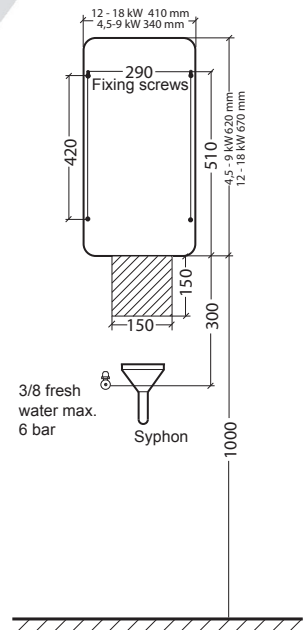


CE IP x4
MADE IN GERMANY

Assembly dimensions

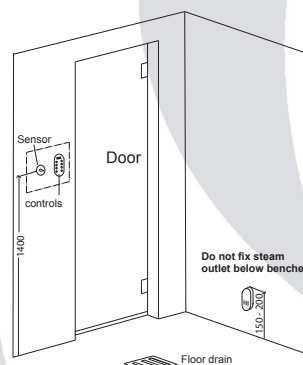
Power	Mains SteamTec	Fuse in A	SteamTec controls	SteamTec sensor	SteamTec RGB	SteamTec halogen spots 230 V	SteamTec fresh air blower	SteamTec extractor
4,5 - 9 kW	5 x 2,5 mm ²	3 x 16	4 x 1 7 m included	2 x 0,75 7 m included	4 x 2 x 0,8 1Y(ST)Y	3 x 1,5	3 x 1,5	3 x 1,5
12 - 18 kW	5 x 6 mm ²	3 x 35						

All cross-sections are minimum in mm² CU



Steam-proof controls with VA panel (brushed steel) and sealed plastic film keyboard for:

- Temperature
- Essence
- Extractor and fresh air depending on operational mode and operating life
- Time
- RGB light changer
- Automatic economic function 4 h



Typ	Art.No	Output in kW	Steam / hour	For cabin volume in m ³	Connection	Dimensions h/w/d in mm	Operating weight	Optional extras
SteamTec Premium	94.4370	4,5	6 kg	ca. 2,5	400 V 3 N AC 50/60 Hz	620 x 340 x 350	ca. 26 kg	Fresh air blower with reverse valve Extractor RGB colour spots IP 65 Halogen spots IP 65 12V/35W Special decalcifier 10 l canister Halogenspots IP 65 12 V / 35 W Spezialentkalker 10 l Kanister
	94.4371	6,0	8 kg	3 - 5				
	94.4372	9,0	12 kg	5,5 - 10				
	94.4559	12	16 kg	9,5 - 12		670 x 410 x 400	ca. 31,5 kg	
	94.4560	15	20 kg	11,5 - 15				
	94.4561	18	24 kg	14,5 - 18				

Further classification classes on request

All rights reserved to make technical modifications