

Steam generator SteamTec Classic

A high performance steam generator for public use.
The generator can be used in:

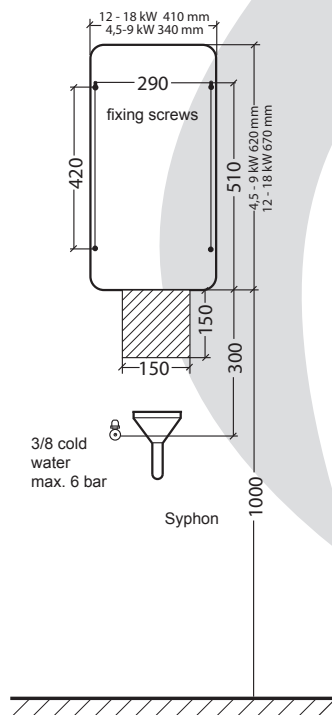
- Steam rooms (with optional min. 1 1/4" steam outlet)
- "Soft steam" sauna cabins in combination with a sauna stove (e.g. 34.G model).
- Requires an external control panel
- Main operation states are shown through pilot LED lights
- Automatic cleaning and descaling (requires optional descaler, produces app. 5 l waste water).
- Wall-mounting installation, all connection at the bottom.

For planning, installation, operating and servicing please refer to the installation and operation guide.

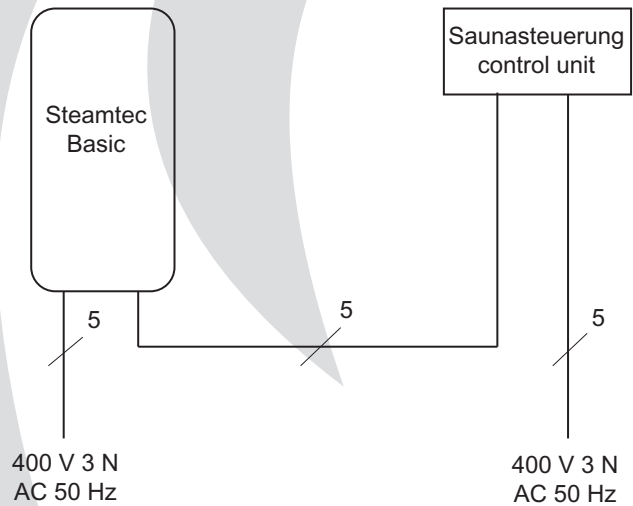
Steam generator for private and commercial steam rooms



Installation template:



Connections plan



CEIP x4

MADE IN GERMANY

Item no.	Power, kW	Power supply	Steam output kg/h	Dimensions HxWxD, mm	Weight	Recommended controls
94.4367	4,5	400 V 3 N AC 50 / 60 Hz	6 kg/h	600 x 320 x 330	app. 20 kg (app. 24 kg in operation condition)	ECON H2 EMOTEC HCS 9003 EMOTEC HCS 9003 DB/DL/DLF EMOTOUCH II PB/AF/GF (in this combination may be only used as an external vaporizer for sauna cabins.)
94.4368	6,0		8 kg/h			
94.4369	9,0		12 kg/h			
94.4556	12,0		16 kg/h	650 x 390 x 380		
94.4557	15,0		20 kg/h			
94.4558	18,0		24 kg/h			

Technical changes without prior notice reserved

