

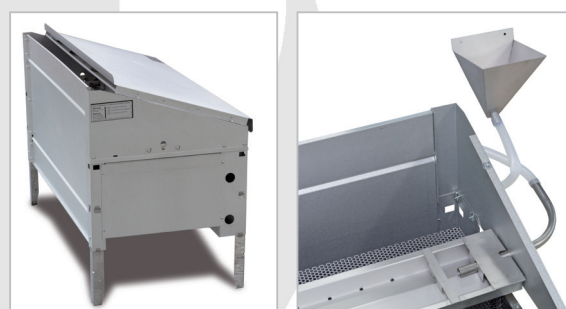
Sauna heater Invisio

Underbench model for private and commercial use

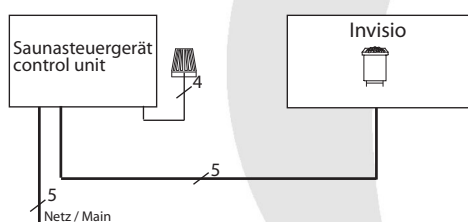
Model: Floor-standing sauna heater
 Housing: Zinc-plated steel, corrosion-resistant
 Rock store: Stainless steel, with integrated gutter
 Rock volume: 75 kg (included)

Features and advantages:

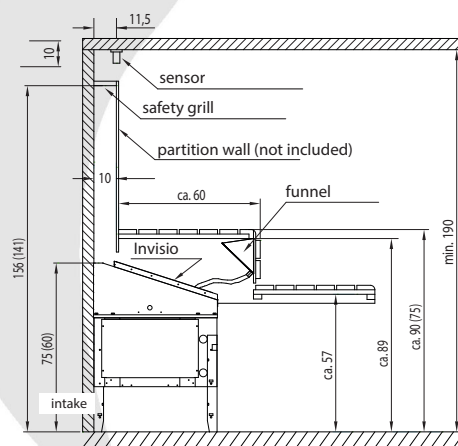
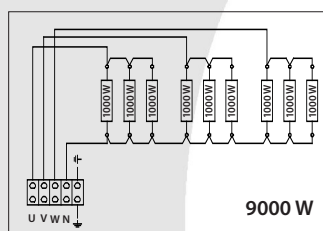
- Robust and durable, suitable for commercial use.
- Very place-saving, only 10 cm gap between the sauna and partition wall thanks to the unique underbench construction.
- Large rock store with up to 75 kg volume (rocks included).
- Integrated full-width infusion gutter ensures quick distribution of water over the entire rock store for powerful steam shocks.
- Durable metal funnel with silicone hose included.
- Optimized heat-up time thanks to the unique divided placement of heating elements by sides of rock store and inside it.
- Adjustable feet, the height may be reduced by 15 cm.
- Service- and maintenance friendly construction - quick access to the rock store thanks to the easy to remove sliding cover.
- Protective safety grill included.
- Approved EOS quality.
- Made in Germany.



Connection plan



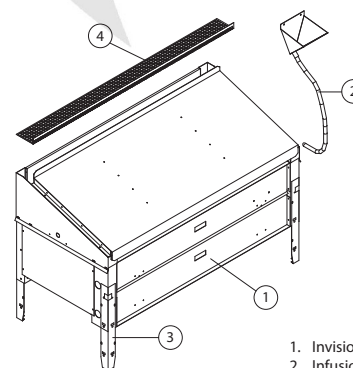
Wiring diagram



Item no.	Normal power	Power supply	Required fuse protection	Cable, mains to controller	Cable, controller to heater
94.5522	9,0 kW	400 V 3N AC 50 Hz	3 x 16	5 x 2,5 mm ²	5 x 1,5 mm ²

All specs for connection cables indicate min. core size in mm² by standard copper-wire cables.

Dimensions, H x W x D, cm	For sauna volume	Min. size of intake and exhaust vent	Net weight, w/o rocks and packing	Rock volume	Power extension needed	Suitable control units
80 x 116 x 58	9 - 14 m ³	35 x 5 cm	24,5 kg	75 kg	no	ECON D1, D2, D3 ECON H1, H2, H3 EMOTEC DC9000 EMOTEC DC9000 DLF EMOTEC HCS9003 EMOTEC HCS9003 DLF Emotouch II PB/AF/GF



1. Invisio sauna heater
2. Infusion funnel with silicone hose
3. Adjustable feet
4. Safety grill

