

Sauna heater Herkules S25

Free standing heater

For familysaunas

Outer shell: The exterior design features a striking combination of straight lines, massive yet elegant steel with the raw sauna rocks.

The internal and external shell is completely made of the best quality stainless steel.

Terminal box: high-grade steel

Stone filling: 25 kg incl.

Service friendly unit assembly system

The heating elements are mounted on a rack and may be conveniently removed without the need to remove the rocks.

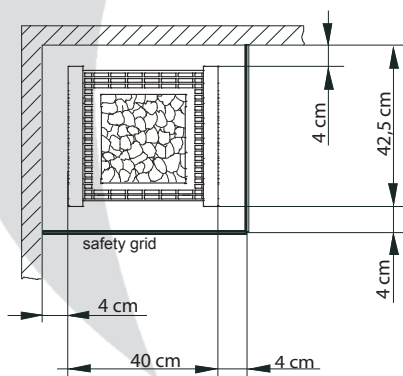
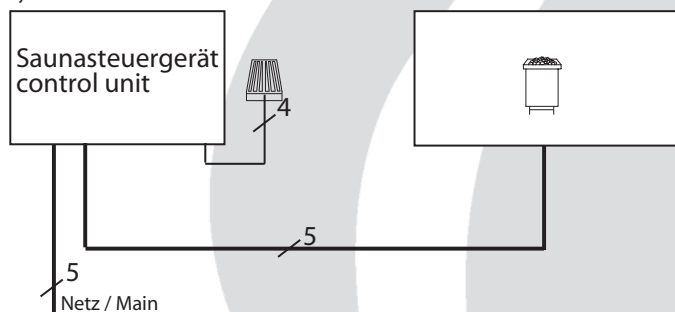
Optimised ratio of radiated heat and convection due to the appropriate amount of stones.



CE IP X4
MADE IN GERMANY

Connection diagram

7,5 - 9 kW



Art.-No.	Outer shell	Capacity acc. DIN	Installation dimensions H/W/D cm	For cabin size	Minimum dimensions of air intake and exhaust vents	Weight without stones without package	Stone filling	Electrical Connection	Fuse control unit in A	Connecting cable main - control unit in mm ²	Connecting cable control unit - heater in mm ²	For operation with control units
94.4326	Grinded stainless steel / anthracite	7,5 kW	75 / 40 / 38,5	8 - 12 m ³	35 x 5 cm	25,5kg	25 kg	3N AC 50 Hz 400 V	3 x 16	5 x 2,5	5 x 1,5	EMOTEC DC 9000 EMOTEC DC 9000 DB/ DL/DLF EMOTEC HCS 9003 EMOTEC HCS 9003 DB/ DL/DLF EmoTouch II PB/AF/GF
94.4327		9,0 kW		10 - 14 m ³	35 x 6 cm							

All cross sections of a line are minimum diameters in mm² (Copper line)

