

Sauna heater Fin-Tec

For family sauna

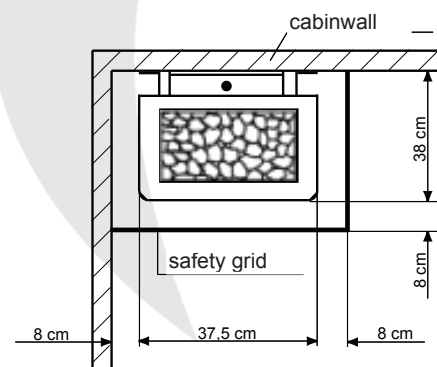
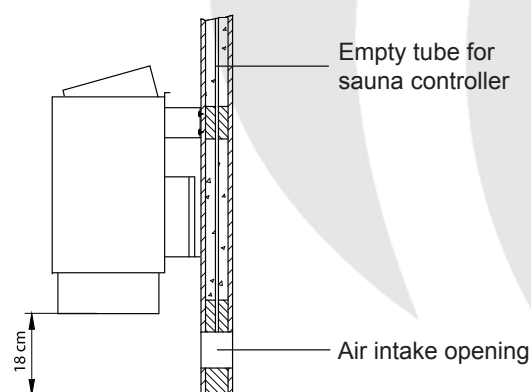
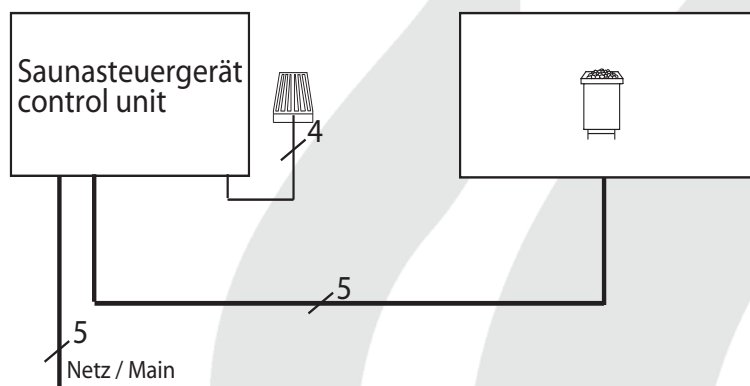
- Outer shell: anthracite pearl effect cladding of diecast aluminium
- Inner shell: high-grade steel
- Rear panel: galvanized steel plate
- Stone basket: high-grade steel
- Terminal box: galvanized steel plate
- Stone filling: 15 kg incl.

Wall mounted heater



MADE IN GERMANY

Connection diagram



Art.-No.	Outer shell	Capacity acc. DIN	Electrical Connection	Fuse control unit in A	Heater dimensions H/W/D cm	For cabin size	Minimum dimensions of air intake and exhaust vents	Weight without stones without package	Stone filling	Connecting cable main - control unit in mm ²	Connecting cable control unit - heater in mm ²	Power switch gear (LSG) needed	For operation with control units
94.3137	anthracite	4,5 kW	3N AC 50 Hz 400 V	3 x 16	78*/ 37,5 / 38	4 - 6 m ³	35 x 3 cm	11,0 kg	15 kg	5 x 2,5	5 x 1,5	no	ECON 45A1 ECON 45A2 ECON 45H2 EMOTEC B6000 EMOTEC DC9000 EMOTEC DC9000 DB/DL/DLF EMOTEC HCS 9003 EMOTEC HCS 9003 DB/DL/DLF EmoTouch II PB/AF/GF
94.3138	anthracite	6,0 kW				6 - 8 m ³	35 x 4 cm						
94.3139	anthracite	7,5 kW				7 - 10 m ³	35 x 5 cm						
94.3140	anthracite	9,0 kW				9 - 14 m ³	35 x 6 cm						

All cross sections of a line are minimum diameters in mm² (Copper line)

*) during 18 cm ground clearance

Subject to technical modifications

