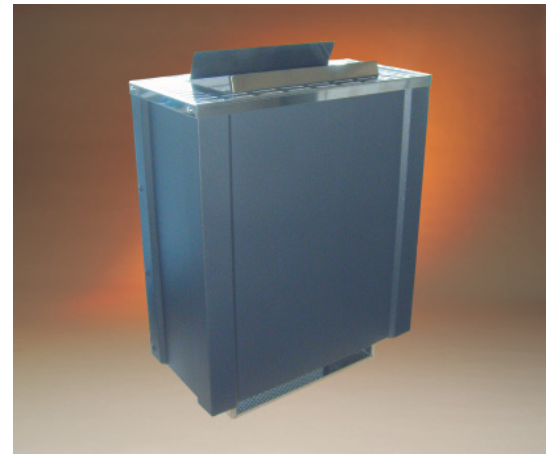


Filius sauna heater

Wall heater

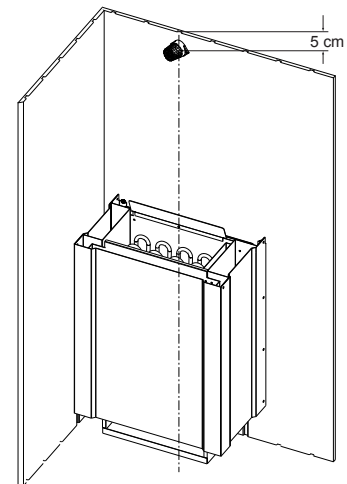
Recommended for the family sauna

Outer casing:	Powder-coated steel plate
Inner casing:	Anthracite pearl effect aluminised steel plate
Rear wall:	Galvanised steel plate
Stones basket:	Stainless steel
Electrical terminal box:	Galvanised steel plate
Stone filling:	8 kg inc.
Dimensions in mm	
Height:	750 (with a 180 mm floor clearance)
Width:	400
Depth:	240

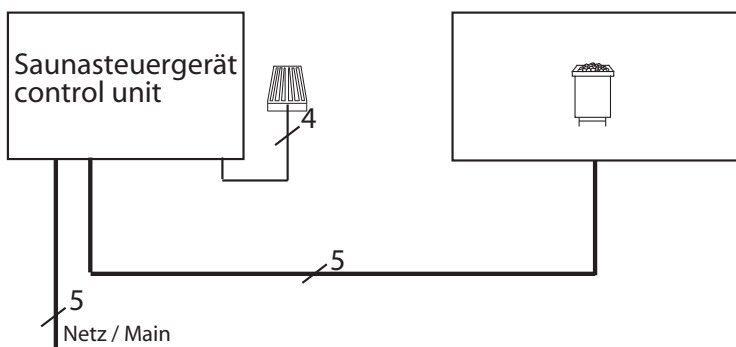


CE IP x4
MADE IN GERMANY

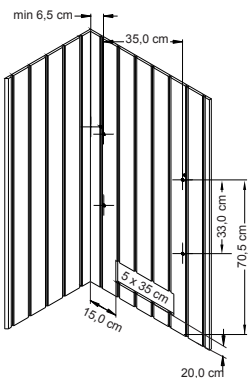
Sensor installation



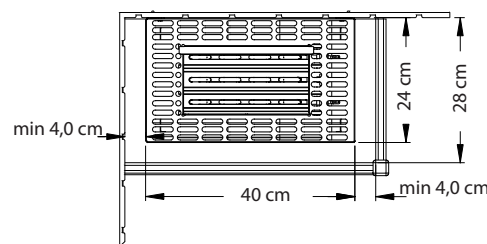
Connection diagram



Installation dimensions



Minimum clearances



Art.No.	Power acc. DIN	Electr. connection	Fuse protection in A	for cabin volumes	Minimum dimension for ventilation and bleeding	Connection mains - control unit	Connection control unit - heater	Power switchgear required	to be used with the control units
94.5031	4.5 kW	3N AC 50 Hz 400 V	3 x 16	4 - 6 m ³	35 x 5 cm	5 x 2.5 ²	5 x 1.5 ²	No	ECON D1 ECON D2 ECON H1 ECON H2 EMOTEC DC9000 EMOTEC DC9000 DB/DL/DLF EMOTEC HCS9003 EMOTEC HCS9003 DB/DL/DLF EmoTouch II PB/AF/GF
94.5032	6.0 kW			6 - 8 m ³					
94.5033	7.5 kW			7 - 10 m ³					

All information on cable cross-sections are minimum cross-sections in mm² copper line.