

Coloured light unit with 4 tanning lamps

FL 800 UV

for fixing in IR-cabins

Coloured light unit with four special fluorescent coloured light lamps each 8 W in red, yellow, green, blue and four 18W UV - tanning lamps. The unit has to be fixed only onto a wall of an IR-cabin. Lamps and starters are easily accessible. Safety glass cover with special grain, permeable to UV-light. 30-minute timer for switching the UV tanning lamps.

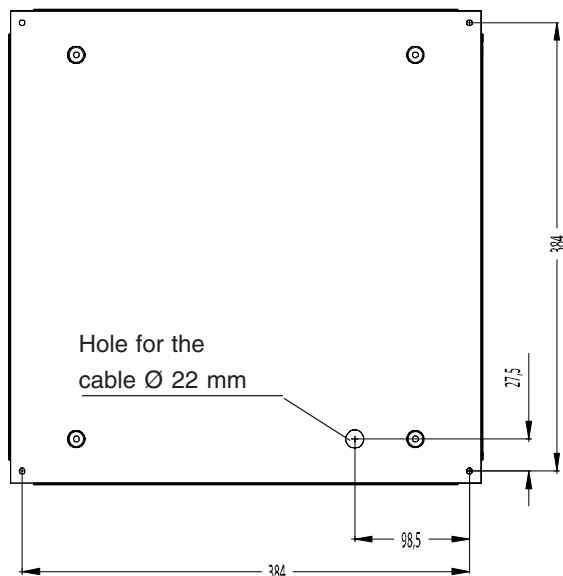
The coloured light unit can be operated using the coloured light control units 60 FL, 48 FL, ECON F1, EMOTEC C55, EMOTEC DC 9000, EMOTEC HIC 75* and EMOTEC HCS 9003*.

*) with modulcolourlight upgrade



MADE IN GERMANY

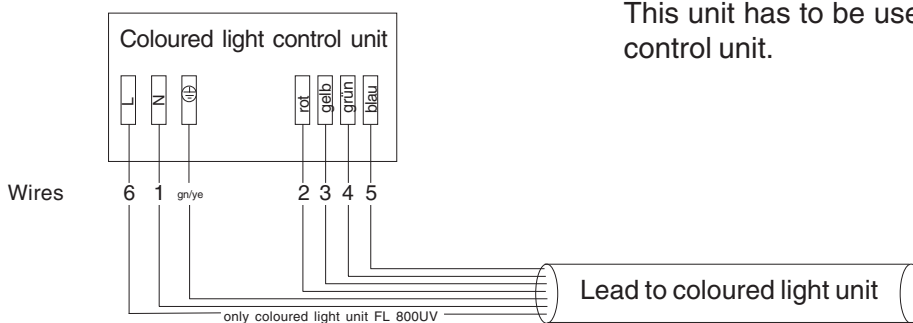
Drilling distances for assembling



Technical data

- 4 special coloured light lamps each 8W
- 4 Excellent VSE Power UV lamps each 18 W
- Dimensions: LWD 445 x 445 x 56 mm
- Voltage: 230 V 1N AC 50 Hz
- Power consumption: 106 W
- Weight: approx. 8,1 kg

This unit has to be used with a coloured light control unit.



Subject to technical modifications

29343143en 46.06