

# Sauna control unit EmoTouch II PB

## For Finnish sauna and humidity operation.

- Housing: injection moulded plastic upper and lower-part
- Display: 5" colour touch screen with interactive graphic user interface
- Operation: through touching the graphic symbols or active surfaces
- Control: digital two-point control
- Heating time shut-off: 6 h, 12 h or unlimited for commercial use
- Humidity control: proportional to time or optional with humidity sensor (ArtNo. 90.9479)
- Reheating: 0 - 60 mins after humidity program
- Water level monitoring: automatic shut down after 2 mins lack of water

### Special features:

- Multi-level access with password protection (user-, operator and service level)
- Remote switching through optional modules
- Display blocking and screensaver mode for energy saving
- Service intervals with reminder
- 8 user profiles with quick save function
- Cabin light control (100% dimmable), fan control (variable speed), fuse protected
- 24 h pre-set timer, variable heating time limitation, 24 h format clock
- Split design - flat recessed display, separate contactor box
- 2 m link cable standard, optional 5 m and 15 m
- Interactive navigation with 8 language support
- 24 h auto save of settings by power failure

### Optional connections:

- Bench sensor Art. No: 94.4389
- Humidity sensor Art. No: 90.9479
- Colored light module Art. No: 94.2761
- Neon colored light module Art. No: 94.4286
- EmoLux colored light modul Art. No: 94.4834
- Loud speaker Art. No: 94.4649
- Audio - Modul Art. No: 94.4833
- Remote start button Art.No: 94.4645
- Connection line 10m Art.No: 94.4646
- Connection line 25m Art.No: 94.4647
- Connection line 50m Art.No: 94.4648
- GSM mobile phone remote switch modul Art.No: 94.4671
- Phase angle control module for LED-/Halogen spotlights Art.No: 94.4970
- Control module for energie-saving(fluorescent) lamps Art.No: 94.4669



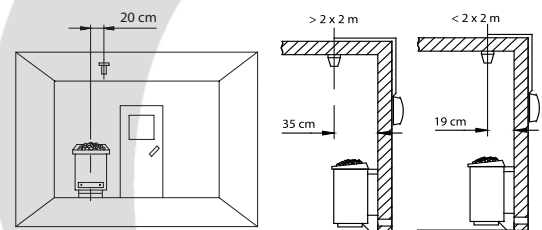
MADE IN GERMANY



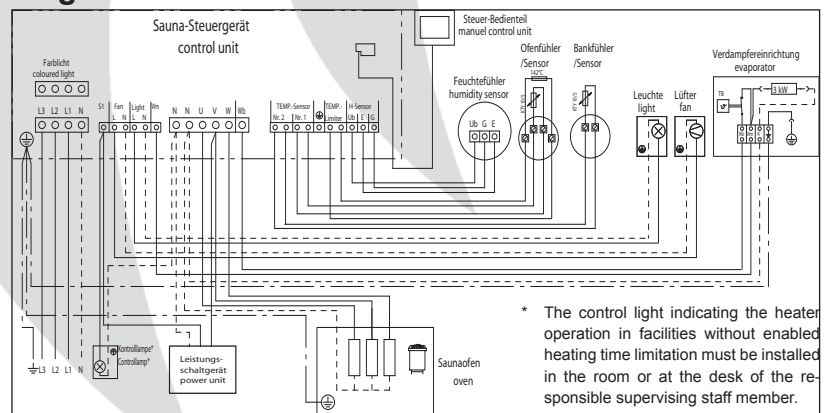
The control line can only installed with the installation of the power pack.

An installation in advance is not possible. Remote switching requires obligatory cover rail installed over the heater protection

### Mounting the sensor in cabins



### Connection diagram



\* The control light indicating the heater operation in facilities without enabled heating time limitation must be installed in the room or at the desk of the responsible supervising staff member.

Art.-No.	Electrical connention / capacity	Connection for power switch gear to max. 36 kW	Time preselection	Temperature control range in sauna operation	Heating time shut-off	Humidity control	Temperature control range in humidity operation	Switching cabin lighting	Switching ventilator	Dimensions H/W/D in cm	Environmental temperatures	Weight without package approx.
94.4642	400 V 3N AC 50 Hz max. 9 kW ohm resistive load in humidity mode 6 kW + vaoprizer 3 kW	yes	24 h in real time	30 - 110°C	6 h 12 h unlimited	proportional to time from 0- 100% optional with humidity sensor	30 - 70° C	dimmable 25 - 100 W max. 500 mA (only ohm resistive load)	3 steps controllable 25 - 100 W max. 500 mA (without starting capacitor)	Terminal 17/17,5/4 Power pack 24/23/7	-10°C to 35°C	Terminal 0,45 kg Power pack 1,4 kg

