

Coloured light control unit EMOTEC C55

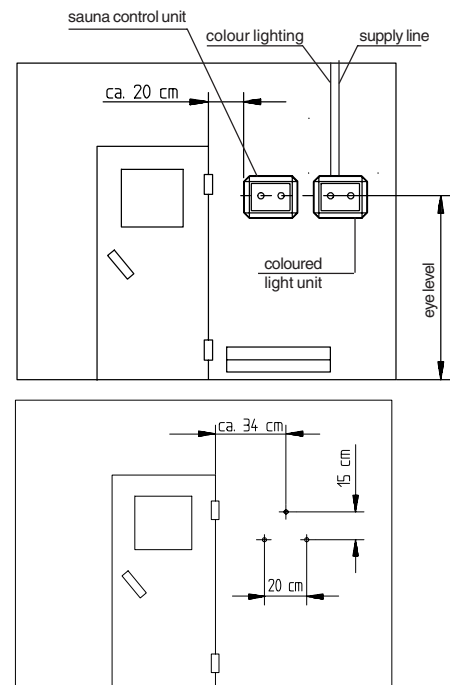
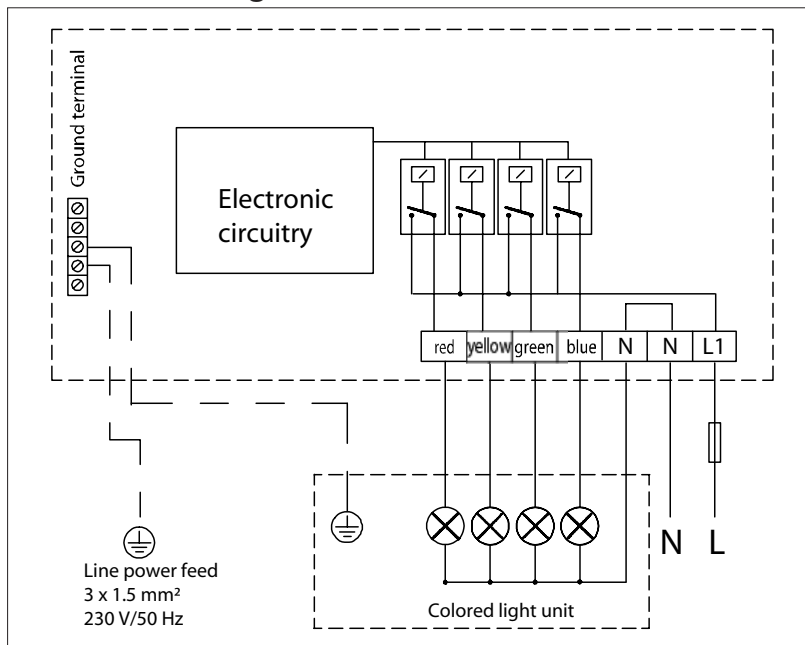
- Casing: injection moulded plastic upper and lower part
- Control buttons: raised, with epoxy abrasion protection
- Operation modes: Permanent single and mixed colour operation or automatic operation
- In automatic operation
- Colour sequence: red - red/yellow - yellow - yellow/green - green - green/blue - blue - blue/red
- Single colour duration: adjustable from 1 - 10 minutes
- Mixed colour duration: 10 seconds, adjustable to single colour duration



CE IP x4 PC AR56

MADE IN GERMANY

Connection diagram



Art.-No	elektrical connection / capacity	Fuse protection	Display	Dimensions H/W/D in cm	Environmental temperatures	Weight without package
94.3901	230 V N AC 50 Hz max. 400 W per colour	10 A	LED	24/23/7	-20°C to +70 °C	approx. 1 kg

Subject to technical modifications