

## Sauna control unit EMOTEC B6000

### for Finnish sauna

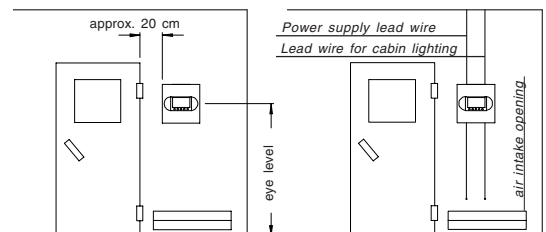
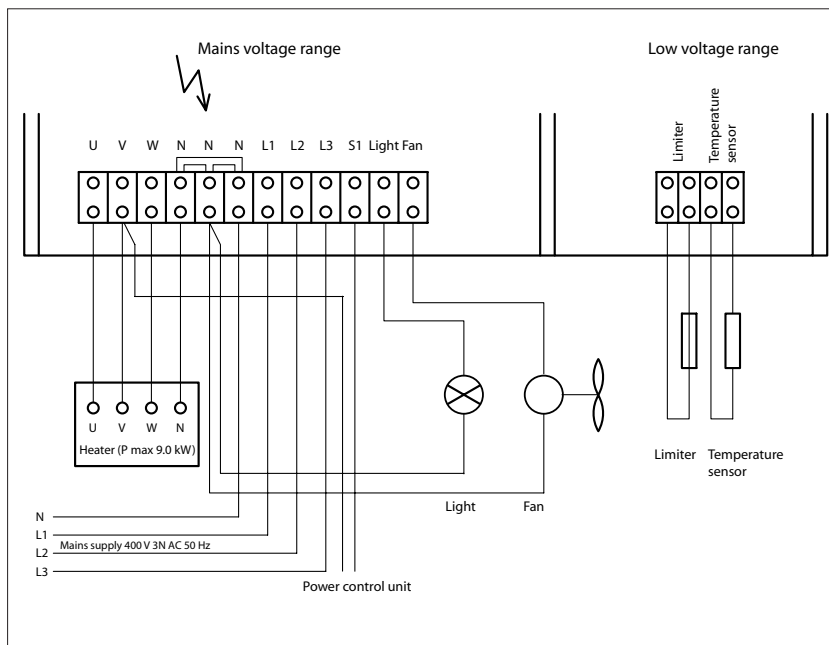
- Casing: injection moulded plastic upper and lower part
- Control buttons: raised, with epoxy abrasion protection
- Display: jumbo LCD display, with high contrast backlighting
- Control: digital two-point control
- Heating time shut-off: 6 hours



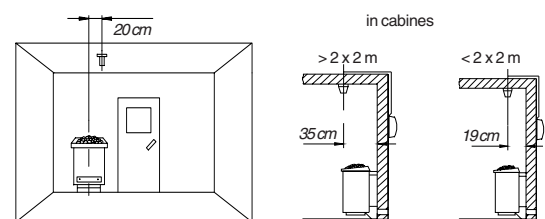
CE IPx4 PC AR56

MADE IN GERMANY

### Connection diagram



### Mounting the sensor



29342498-en 41.06

Art.-No	Electr. connection / capacity	Connection for power switch gear to max. 36 kW	24 h real time clock	Time preselection	Control range sauna operation	Heating time shut-off	Humidity control	Control range in humidity operation	Switching on/off		Dimensions H/W/D in cm	Environmental temperatures	Weight without package
									Cabin lighting	Ventilator			
94.3885	400 V 3N AC 50 Hz max. 9 kW ohm resistive load	yes	yes	24 h	30 - 115°C	6 h	no	-	no	to max. 100W without starting capacitor	24/23/7	-20°C to +70 °C	approx. 1 kg

Subject to technical modifications