



Technical Data Sheet

EmoStyle Hi

Innovative premium-class sauna control unit for dry sauna operation and air conditioning.

Modern control unit with an exclusive control panel. Front side completely made of glass with stylish real wood inlays in a black and white design. With coloured TFT display and separate power unit. Thanks to the innovative operating concept, the unit can be operated intuitively and quickly, and numerous functions can be reached and set very quickly.

Properties and advantages:

- Control panel for mounting **in** the sauna cabin
- Control panel with modern TFT colour display
- Simple, easy operation via capacitive keys.
- Made in Germany - Quality by EOS

Properties:

Case:	Load unit: Plastic Control panel: Front side completely made of glass with stylish real wood inlays (maple or walnut)
Screen:	TFT colour display with menu navigation
Menu navigation:	19 languages
Temperature control:	digital two-point regulation, 30 - 115°C
Heating time limit:	6,12 hours and infinite
Time pre-selection:	24 hrs in real time or week timer
Temperature limit:	139 °C safety limit
Switching power:	up to 9 kW (can be expanded with LSG)
Connection:	400 V 3N AC 50 Hz.
Control panel HxW:	200 x 140 mm
Power unit HxWxD:	270 x 300 x 100 mm
Assembly:	for flush-mounted assembly in the sauna cabin

- Easy and intuitive operation
- Menu navigation in 19 languages
- Flat control panel with TFT-display
- Simple, quick installation
- Premium functions
- Made in Germany 

Power element

Split front side facilitates assembly.
Connections can be made at the bottom and the back.



Control panel

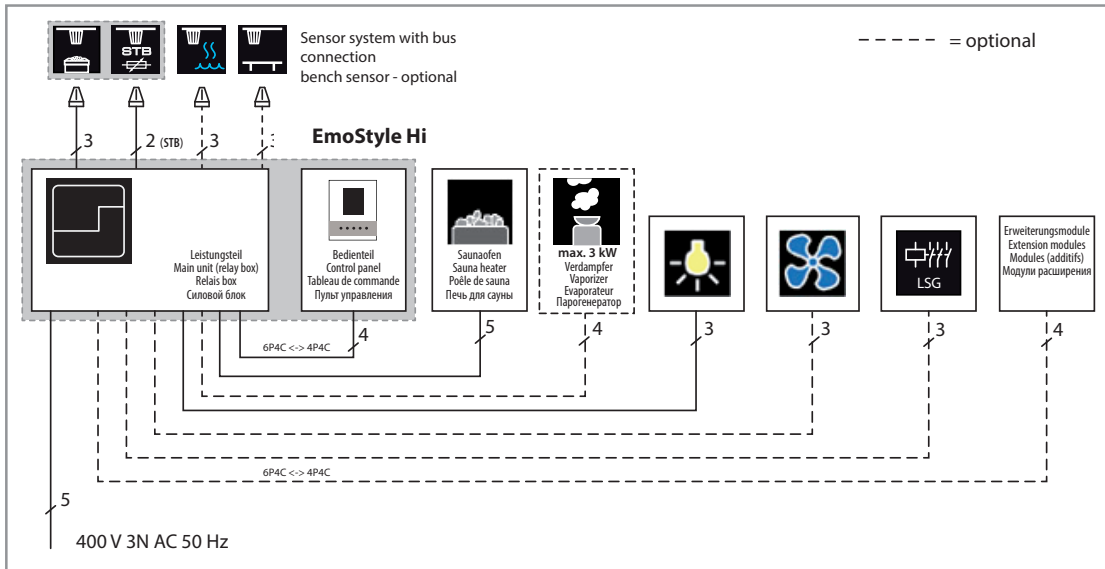
Installation or attachment is possible The figure shows the user interface when optional accessories are connected.



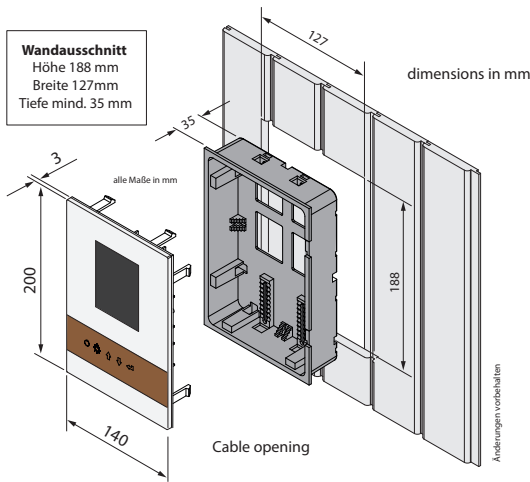
MADE IN GERMANY 

Technical data subject to change

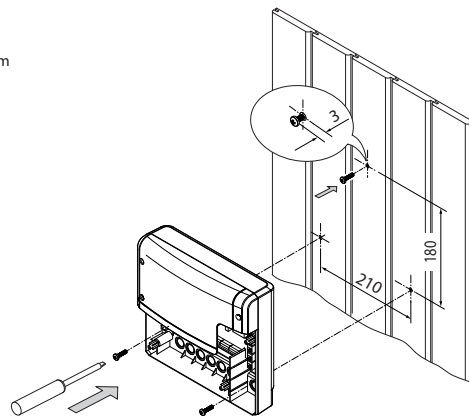
Connection diagram



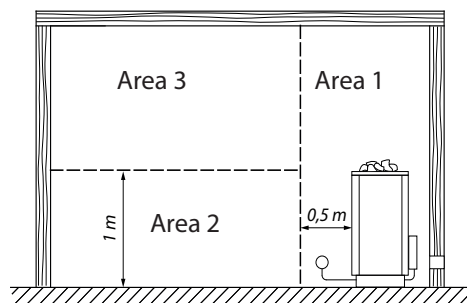
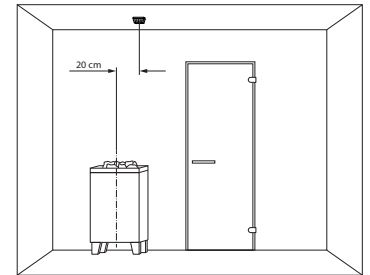
Mounting the control panel



Mounting the power unit



Mounting the sensor

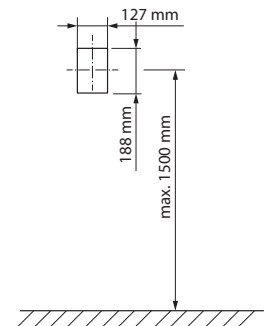


Mounted in sauna cabins:

Can be used in sauna cabins in areas up to 110°C.
Never directly above or in the vicinity of the sauna stove (area 1),
or within the direct radiation range of short-wave infrared emitters.

ATTENTION!

When installing the control panel, ensure that the cabin door is tight on the inside. Electronic parts may malfunction if there are excessively high temperatures inside the control panel.



Specifications

Art. No.	electr. connection	Switching output	Control range	Heating time limiter	Timer limit	Light output	Fan output	probe	Control panel (HxW)	Load unit (HBT)
94.6317 94.6241 94.6415 94.6414	400V 3N AC 50 Hz	9.0 kW (can be expanded with LSG)	30° - 115°C	6 hrs / 12 hrs / infinite	24 hrs or week timer	230V, ohmic, capacitive, inductive load.	230 V / max. 150 W, adjustable	Digital, with 5 m cable. bench sensor - optional	200 x 140 mm assembly in the cabin	270 x 300 x 100 mm Wall mounting