

Coloured light control unit ECON F1

Casing: plastic upper and lower part
 Control buttons: keypad
 Operation modes: Permanent single and mixed colour operation or automatic operation

In automatic operation

Colour sequence: red - red/yellow - yellow - yellow/green - green - green/blue - blue - blue/red

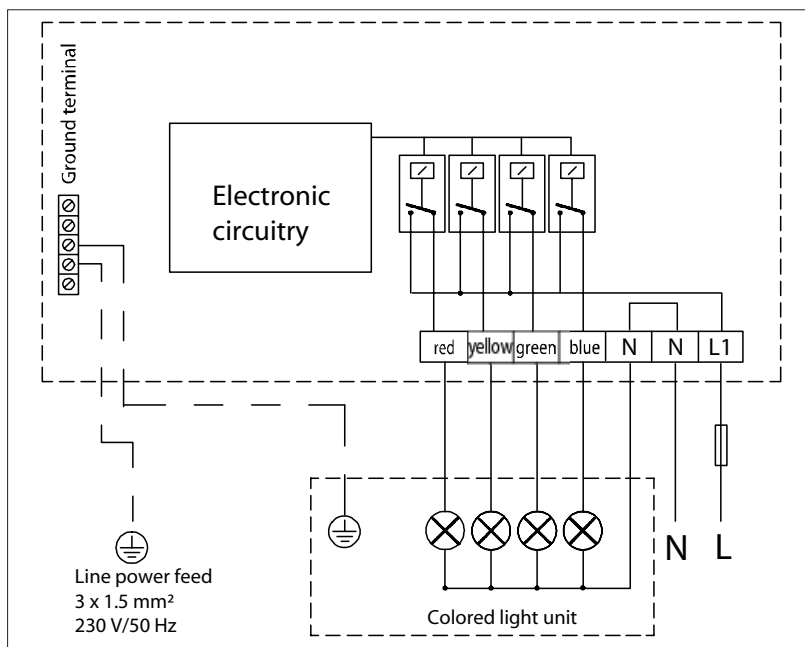
Single colour duration: adjustable from 1 - 10 minutes

Mixed colour duration: 10 seconds, adjustable to single colour duration

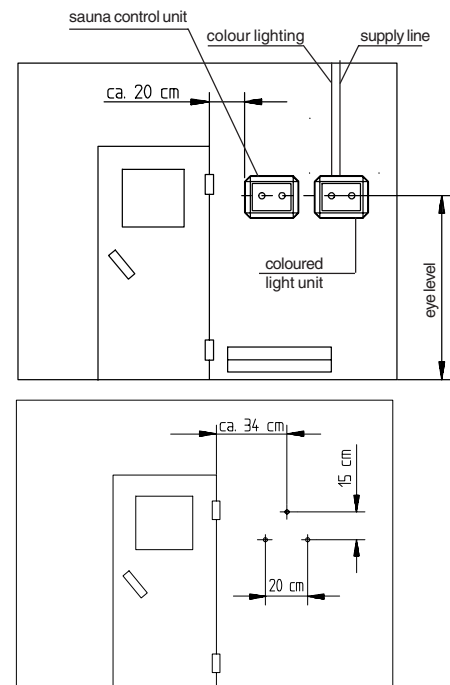


CE IPx4

Connection diagram



MADE IN GERMANY



Art.-No	electrical connection / capacity	Fuse protection	Display	Dimensions H/W/D in cm	Operation temperatures	Weight without package
94.3903	230 V N AC 50 Hz max. 400 W per colour	10 A	LED	23/31/8	-20°C to +70 °C	approx. 1 kg

Subject to technical modifications