

Bi-O Filius sauna heater

Wall heater with evaporator

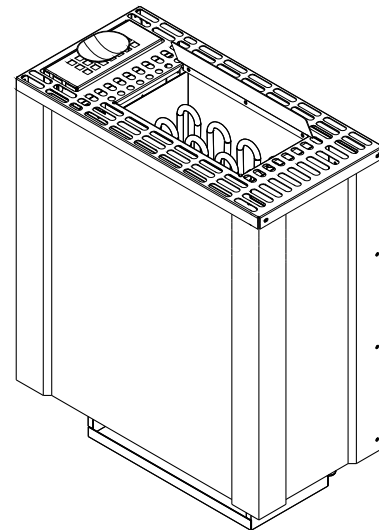
Recommended for the family sauna

Outer casing: Anthracite pearl effect
 Inner casing: Bright polished stainless steel
 Evaporator filling quantity: approx. 2 l
 Stone filling: 8 kg inc.

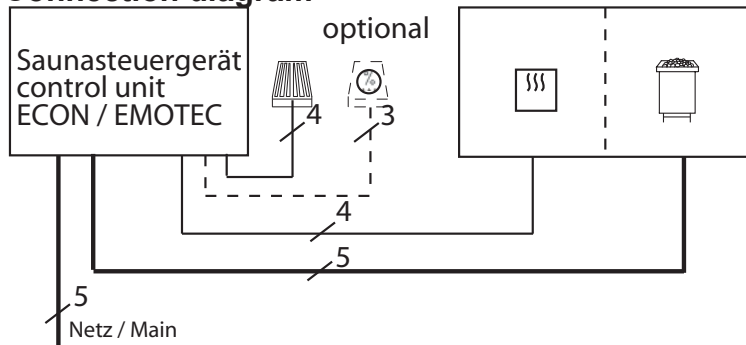
Stainless steel herb bowl to accommodate herbs, essential oils and essences.

Integrated dry-running protection with acoustic low water signal.

Dimensions in mm Height: 750 with 180 mm ground clearance
 Width: 470
 Depth: 240

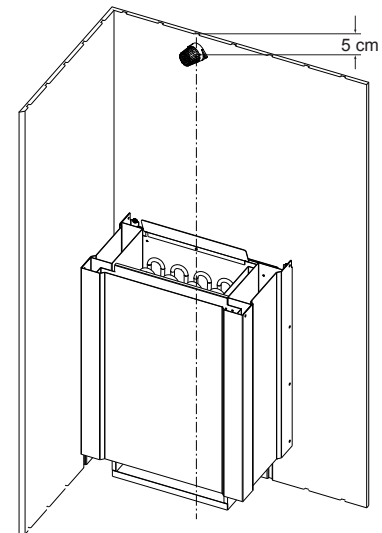


Connection diagram

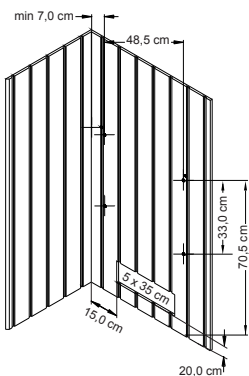


CE IP x4
 MADE IN GERMANY

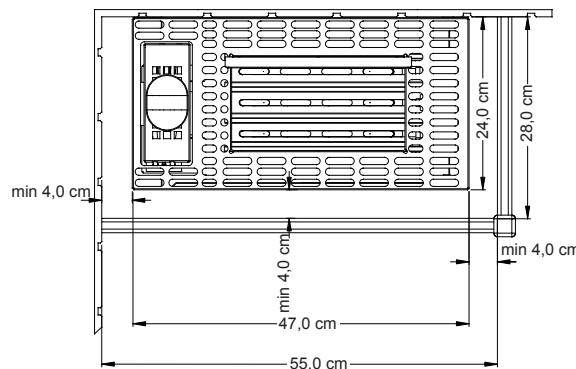
Sensor installation



Installation dimensions



Minimum clearances



Art.No.	Power acc. DIN	Evaporator power	Electr. connection	Fuse protection in A	for cabin volumes	Minimum dimension for ventilation and bleeding	Connection mains - control unit	Connection control unit - heater	Power switchgear required	to be used with the control units
94.5144	4.5 kW	1.0 kW	3N AC 50 Hz 400 V	3 x 16	4 - 6 m ³	35 x 5 cm	5 x 2.5 ²	1pc. 5 x 1.5 ² 1pc. 4 x 1.5 ²	No	ECON H1 ECON H2 EMOTEC HCS9003 EMOTEC HCS9003 DB/DL/DLF EmoTouch II PB/AF/GF
94.5145	6.0 kW	1.5 kW			6 - 8 m ³					
94.5146	7.5 kW	1.5 kW			7 - 10 m ³					

All information on cable cross-sections are minimum cross-sections in mm² copper line.

Subject to technical changes