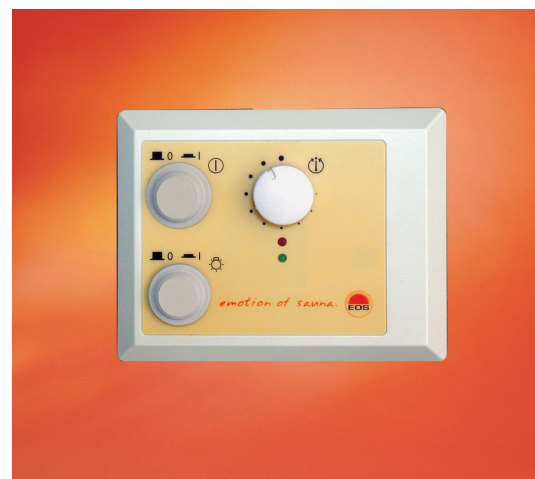


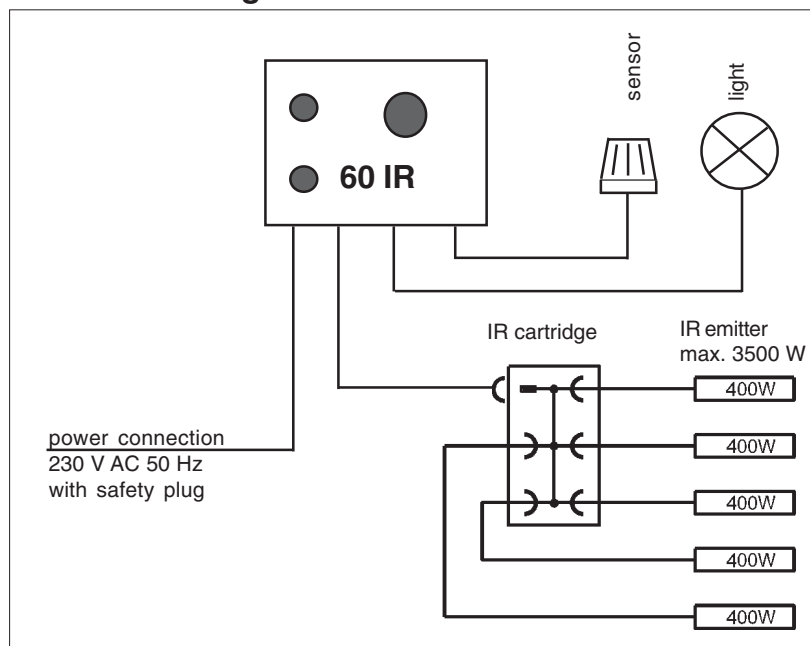
# Infrared controlling unit 60 IR

- Casing: injection moulded plastic upper and lower part
- Control buttons: two buttons for operation and cabin light
- Control: one button for temperature setting electronically via KTY-Sensor and safety temperature limiter 139°C
- Heating time shut-off: 60 minutes



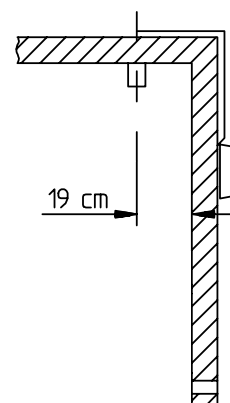
The control-unit may not be mounted within the IR cabin.

## Connection diagram



MADE IN GERMANY

## Sensor mounting



Art.-No.	Elektrical connection/ power	Fuse	Indicator	Control range	Dimensions H/W/D [cm]	Environmental temperature	Weight without package
943118	230 V N AC 50 Hz max. 3,5 kW	16 A	LED's for operation (green) and heating (red)	30 - 60° C	14/18/5	-20°C to +70 °C	approx. 0.8 kg

Subject to technical modifications