


## Coloured light control unit 60 FL

- Casing: injection moulded plastic upper and lower part
- Control buttons: keypad
- Operation modes: permanent single and mixed colour operation or automatic operation
- In automatic operation:
- Colour sequence: red - red/yellow - yellow - yellow/green - green - green/blue - blue - blue/red
- Single colour duration: adjustable from 1 - 10 minutes
- Mixed colour duration: 10 seconds, adjustable to single colour duration

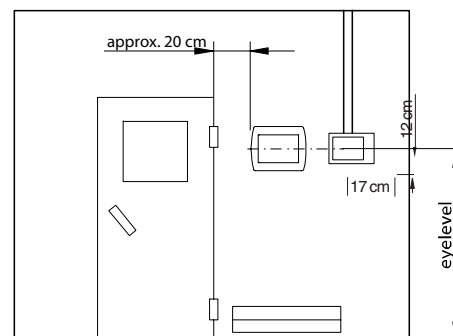
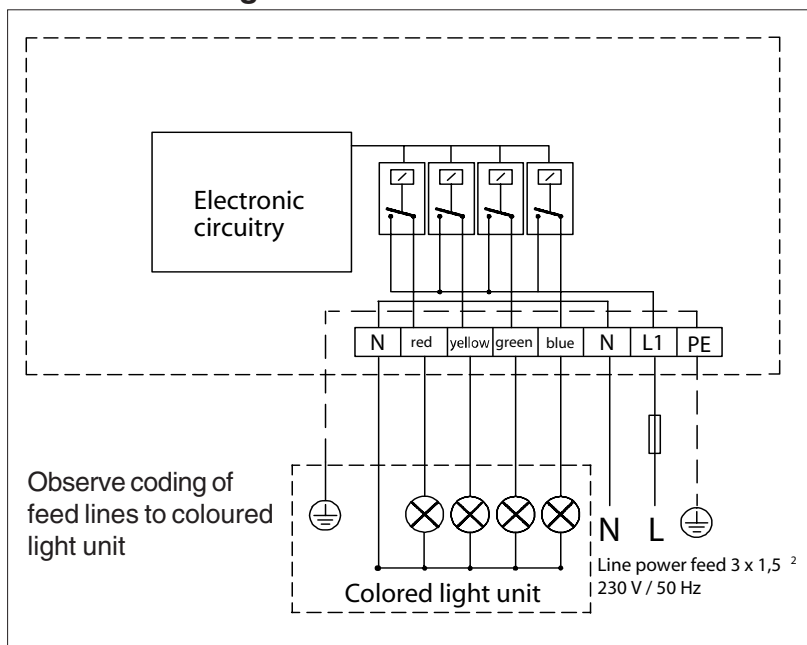


 **The control unit may not be mounted within the IR cabin.**



MADE IN GERMANY

### Connection diagram



Art.-No	elektrical connection / capacity	Fuse protection	Display	Dimensions H/W/D in cm	Environmental temperature	Weight without package
94.3119	230 V N AC 50 Hz max. 400 W per colour	10 A	LED	145/185/50	0°C to +40 °C	approx. 0.7 kg

Subject to technical modifications