

Sauna heater 46.U

For hotel and commercial sauna

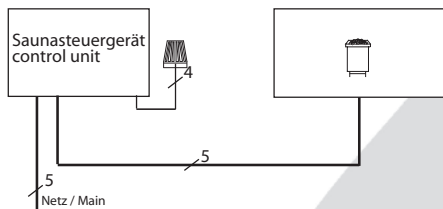
Heater for fitting behind the wall

Outer shell: bright high-grade steel
 Inner shell: bright high-grade steel
 Stone basket: high-grade steel
 Stone filling: 15 kg incl.

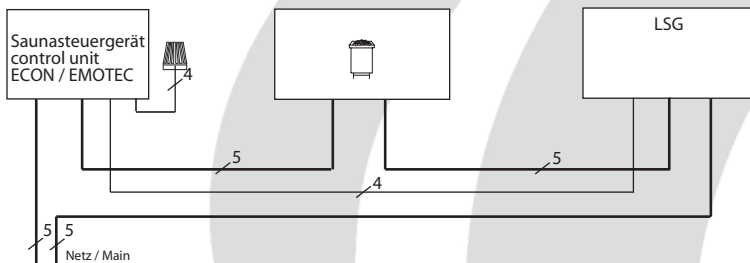
Stone basket with infusion bowl over full heater with. Infusion funnel with 1 m silicone extension hose and 6 m silicone connecting cable 5 x 1,5 mm².

Connection diagram

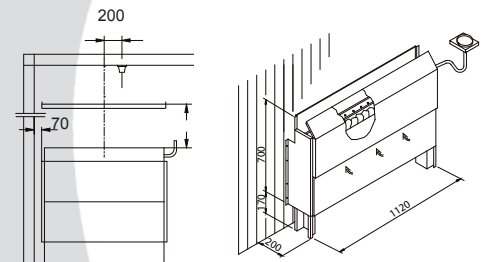
6 - 9 kW



12 kW



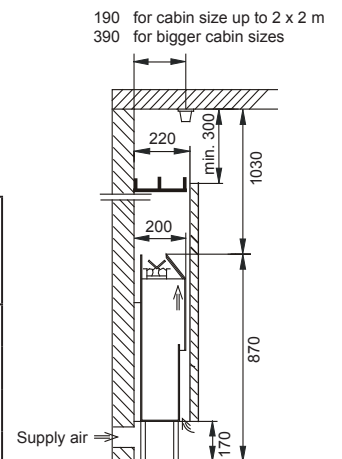
CE D'E IP x4 AR 56
 MADE IN GERMANY



Capacity acc. DIN	Electrical Connection	Fuse control unit in A	Fuse LSG in A	Connecting cable main - control unit in mm ²	Connecting cable main - LSG in mm ²	Connecting cable control unit - heater in mm ²	Connecting cable LSG - heater in mm ²	Connecting cable control unit - LSG in mm ²
6,0 kW	3N AC 50 Hz 400 V	3 x 16	3 x 16	5 x 2,5 ²	5 x 2,5 ²	5 x 1,5 ²	5 x 1,5 ²	4 x 1,5 ²
8,0 kW								
9,0 kW								
12,0 kW								

All cross sections of a line are minimum diameters in mm² (Copper line)

Art.-No.	Outer shell	Capacity acc. DIN	Installation dimensions H/W/D cm	For cabin size	Minimum dimensions of air intake and exhaust vents	Weight without stones without package	Stone filling	Power switch gear (LSG) needed	For operation with control units
90.8425	high-grade steel	6,0 kW	87 / 112 / 20	6 - 8 m ³	35 x 3 cm	23,5 kg	15 kg	ECON 45L09 EMOTEC L09	ECON 45A1 ECON 45A2 ECON 45H2 EMOTEC DC9000 EMOTEC DC9000 DB/DL/DLF EMOTEC HCS9003 EMOTEC HCS9003 DB/DL/DLF Emotouch II PB/AF/GF
90.8426		8,0 kW		7 - 10 m ³	35 x 4 cm	25,0 kg			
90.8427		9,0 kW		9 - 14 m ³	35 x 5 cm	24,5 kg			
90.8608		12,0 kW		14 - 18 m ³	35 x 6 cm				



Subject to technical modifications