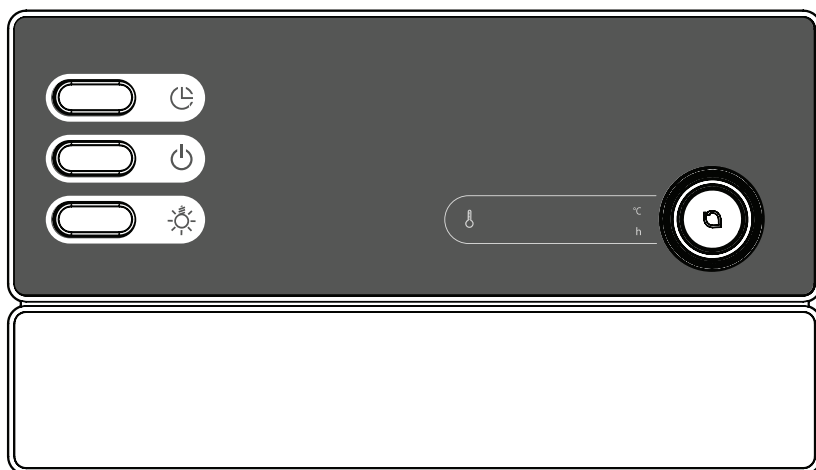


# Sauna control unit

## Pro B2

### PRO-B2

INSTRUCTIONS FOR INSTALLATION AND USE  
English



EN

# Table of Contents

<b>1. About this instruction manual</b>	<b>4</b>
<b>2. Important information for your safety</b>	<b>5</b>
2.1. Intended use	5
2.2. Safety information for the installer	5
2.3. Safety information for the user	6
<b>3. Product description</b>	<b>8</b>
3.1. Scope of delivery	8
3.2. Optional accessories	8
3.3. Product functions	8
3.4. Sensor operating modes	9
<b>4. Installation</b>	<b>10</b>
4.1. Installing the sauna control unit	10
4.2. Installing the heater sensor F1 with excess temperature fuse	12
4.3. Installing bench sensor F2 (optional)	15
<b>5. Electrical connection</b>	<b>16</b>
5.1. Connecting the power supply cable and heater cable	17
5.2. Connecting the light	17
5.3. Connecting the power booster (optional)	18
5.4. Connecting heater sensor F1	18
5.5. Installing bench sensor F2 (optional)	18
5.6. Connecting the safety shut-off device	18
5.7. Remote start	19
5.8. Finishing installation	19
<b>6. Performing tests</b>	<b>20</b>
<b>7. Connection diagram</b>	<b>22</b>

<b>8. Starting-up</b>	<b>23</b>
8.1. Setting the heating period limit	23
8.2. Activating/deactivating phase alignment	24
8.3. Activating/deactivating the remote start and preset time function	24
8.4. Activating/deactivating the single-sensor mode	25
8.5. Displaying the heater temperature in single-sensor mode	25
<b>9. Operation</b>	<b>26</b>
9.1. Operating elements	26
9.2. Switching on the light	26
9.3. Switching on the sauna control unit	27
9.4. Starting the sauna	27
9.5. Changing the preset temperature	28
9.6. Setting the preset time	28
9.7. Cancelling the preset time function	29
9.8. Switching off the sauna control unit	29
<b>10. Cleaning and maintenance</b>	<b>30</b>
10.1. Cleaning	30
10.2. Maintenance	30
<b>11. Disposal</b>	<b>30</b>
<b>12. Troubleshooting</b>	<b>31</b>
<b>13. Technical data</b>	<b>32</b>

# 1. About this instruction manual

Read these instructions for installation and use carefully and keep them within reach of the sauna control unit. This ensures that you can refer to information regarding your safety and regarding operation at any time.



---

These instructions for installation and use can also be found in the downloads section of our website: [www.sentiotec.com](http://www.sentiotec.com).

---

## ***Symbols used for warning notices***

In these instructions for installation and use, a warning notice located next to an activity indicates that this activity poses a risk. Always observe the warning notices. This prevents damage to property and injuries which could in the worst case even be fatal.

The warning notices contain keywords, which have the following meanings:



---

### **DANGER!**

Serious or fatal injury will occur if this warning notice is not observed.

---



---

### **WARNING!**

Serious or fatal injury can occur if this warning notice is not observed.

---



---

### **CAUTION!**

Minor injuries can occur if this warning notice is not observed.

---

---

### **ATTENTION!**

This keyword is a warning that damage to property can occur.

---

## ***Other symbols***



This symbol indicates tips and useful information.

## 2. Important information for your safety

The sauna control unit Pro B2 has been produced in accordance with the applicable safety regulations for technical units. However, hazards may occur during use. Therefore adhere to the following safety information and the specific warning notices in the individual chapters. Also observe the safety information for the devices connected.

### 2.1. Intended use

The sauna control unit Pro B2 is used exclusively for operating and controlling the sauna functions in accordance with the technical data.

The sauna control unit Pro B2 may only be used for operating and controlling a sauna heater which has been certified as satisfying the combustion test described in paragraph 19.101 of EN 60335-2-53. Alternatively, a suitable safety shut-off device can be installed in or above the heater.

The sauna control unit Pro B2 may only be used for operating and controlling 3 heating circuits with a maximum heating capacity of 3.5 kW per heating circuit.

Any use exceeding this scope is considered improper use. Improper use can result in damage to the product, in severe injuries or death.

### 2.2. Safety information for the installer

- Installation may only be performed by a qualified electrician or similarly qualified person.
- Work on the sauna control unit may only be performed when the power has been disconnected.

- A three-phase shut-off device with a 3 mm contact opening must be provided during installation. This is provided by the fuse.
- The sauna control unit must be installed outside the sauna room at a height of approx. 1.70 m or in accordance with the recommendation issued by the sauna manufacturer. The ambient temperature must be within a range spanning -10 °C to +40 °C.
- The heater sensor must be attached in a way that it is not affected by a flow of air.
- The heater supply cable must have a minimum cross-section of 2.5 mm<sup>2</sup> and be temperature resistant up to 150 °C.
- Also comply with the regulations applicable at the installation location.
- For your own safety, consult your supplier in the event of problems that are not explained in sufficient detail in the installation instructions.

### **2.3. Safety information for the user**

- The sauna control unit must not be used by children under 8 years old.
- The sauna control unit may only be used by children above 8 years old, by persons with limited psychological, sensory or mental capabilities or by persons with lack of experience/knowledge:
  - When they are supervised.
  - When they have been shown how to use the device safely and are aware of the hazards that could occur.
- Children must not play with the sauna control unit.
- Children under 14 years of age may only clean the sauna control unit if they are supervised.

- For health reasons, do not use the sauna when under the influence of alcohol, medication or drugs.
- Make sure that no flammable objects have been placed on the sauna heater before the sauna control unit is switched on.
- Make sure that no flammable objects have been placed on the heater before activating the preset time function or the stand-by mode for the remote start.
- For your own safety, consult your supplier in the event of problems that are not described in sufficient detail in the operating instructions.

## 3. Product description

### 3.1. Scope of delivery

- Sauna control unit
- Heater sensor with integrated excess temperature fuse
- Sensor wires
- Installation material

### 3.2. Optional accessories

- Bench sensor (item number: O-F2)
- Power booster (item number: O-S2-18/O-S2-30)
- Safety shut-off (item number: HT-SWL)

### 3.3. Product functions

The sauna control unit Pro B2 features the following functions:

- Regulation of sauna heaters with a heating output of up to 10.5 kW in the temperature range spanning 30 °C to 110 °C.
- A power booster allows the maximum contact rating to be increased from 10.5 kW to 18 kW or 30 kW.
- Remote start function
- Preset time function (up to 24 hours)
- Automatic heating period limiter  
The sauna control unit shuts down automatically after the maximum heating period for safety reasons. The maximum heating period can be set to 6 h, 12 h, 18 h or 24 h.
- Excess temperature fuse  
The excess temperature fuse is installed in the housing for the heater sensor. Should the sauna heater continue heating after reaching the preferred temperature due to a defect, the excess temperature fuse switches the sauna heater off at a temperature of approx. 139 °C.



### 3.4. Sensor operating modes

The sauna control unit can be operated with one or two temperature sensors.

#### ***Single-sensor mode (F1)***

Single-sensor mode must be activated when starting up the sauna for the first time (see **8.4. Activating/deactivating the single-sensor mode** on page 23).

In single-sensor mode, the sauna control unit is operated with the heater sensor with an excess temperature fuse (F1) only. In single-sensor mode, the sauna control unit only displays the set temperature. The actual temperature is not displayed. Should the sauna control unit display the temperature above the heater (F1) as an actual temperature in single-sensor mode, it must be activated when starting up for the first time (see **8.5. Displaying the heater temperature in single-sensor mode** on page 23)

#### ***Two-sensor mode with bench sensor (F2)***

In two-sensor mode with bench sensor, a second temperature sensor (bench sensor) is installed above the rear sauna bench. The sauna control unit displays the temperature measured by the bench sensor as the actual temperature.

## 4. Installation

### 4.1. Installing the sauna control unit

---

**ATTENTION!*****Damage to the unit***

The sauna control unit is protected against jets of water, however direct contact with water could still damage the unit.

- Install the sauna control unit in a dry place at which a maximum humidity of 95% is not exceeded.
- 

**ATTENTION!*****Sources of interference can have a negative effect on signal transmission***

- Lay all sensor wires separately from other mains wires and control wires.
  - Protect wires with only one layer of insulation by using a pipe (double insulation).
- 

Observe the following points when installing the sauna control unit:

- The sauna control unit must be installed outside the sauna room or in accordance with the recommendation issued by the sauna manufacturer.
- The ambient temperature must be within a range spanning -10 °C to +40 °C.
- The sensors may only be connected using the sensor wires provided with the unit, which are heat-resistant up to 150 °C.



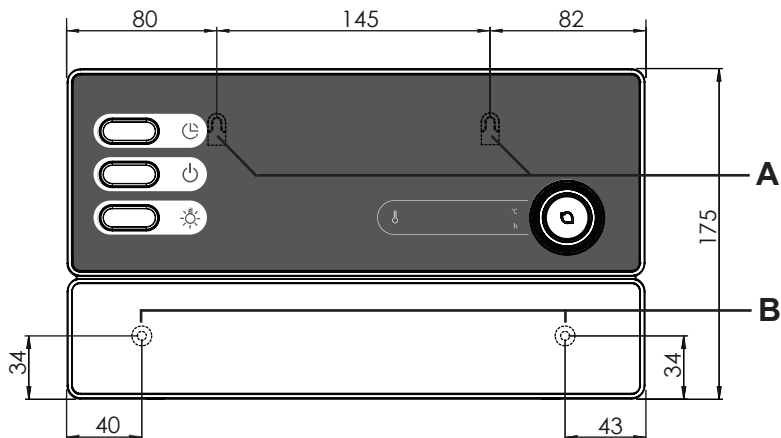
---

The sensor wires may be extended under the following conditions:

- When a silicon wire resistant to temperatures up to 150 °C is used.
  - The minimum cross-section of the wire totals 0.75 mm<sup>2</sup>.
  - The length of the heater sensor wires may NOT exceed 10 m.
-

To install the sauna control unit, perform the following steps:

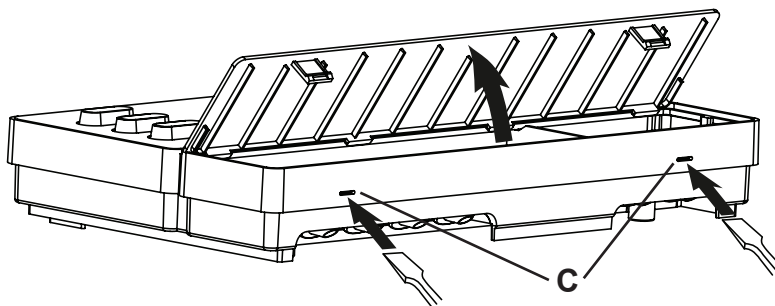
1. Screw two Phillips-head screws (16 mm) into the wall of the sauna at a height of approx. 1.70 m to a distance of up to 7 mm. The two screws must be placed at a distance of 145 mm from each other (see **Fig. 1**).



**Fig. 1** Position of the attachment device and the installation holes (dimensions in mm)

EN

2. Press the clip locks **C** in lightly using a screwdriver and remove the cover from the housing (see **Fig. 2**).
3. Fasten the sauna control unit onto the Phillips-head screws using the attachment device **A** as an aid (see **Fig. 1**).
4. Screw two Phillips-head screws (16 mm) into the lower fastening holes **B** (see **Fig. 1**).



**Fig. 2** Removing the cover from the housing

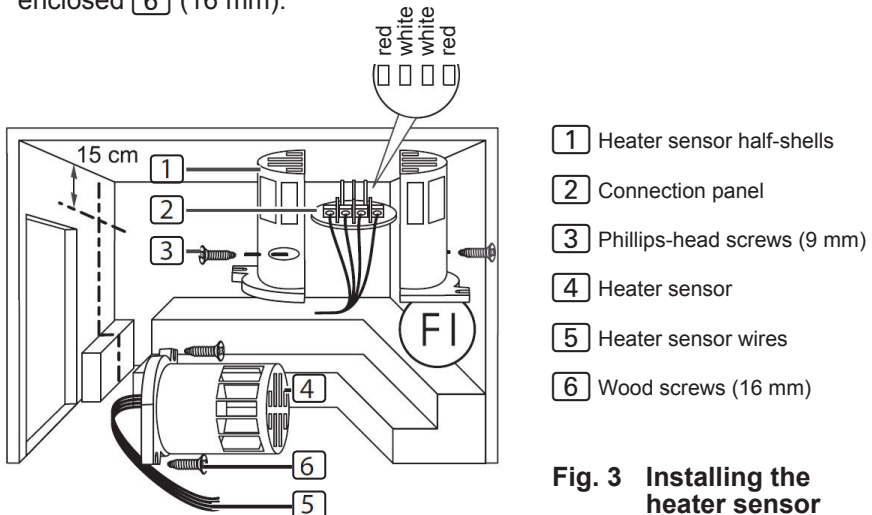
## 4.2. Installing the heater sensor F1 with excess temperature fuse

Observe the following points when installing the heater sensor:

- The heater sensor must be installed on the rear of the heater, above the middle of the sauna heater. An interval of approx. 15 cm to the roof of the sauna room must be maintained.
- The heater sensor must be attached in a way that it is not affected by a flow of air.

To install the heater sensor, perform the following steps (see **Fig. 3**):

1. Lay the two 2-pin heater sensor wires in the wall of the sauna room, leading them to the heater sensor installation location and affix the heater sensor wires using wire clips.
2. Pull the two half-shells **1** of the heater sensor apart.
3. Connect the four connectors for the heater sensor wire **5** in accordance with the **Fig. 3**.
4. Place the connection panel **2** crossways (as shown in **Fig. 3**) in the heater sensor half-shells.
5. Place the two half-shells together, screw them together using the two Phillips-head screws **3** (9 mm) and check whether the heater sensor has been securely closed.
6. Install the heater sensor on the rear of the heater using the two wood screws enclosed **6** (16 mm).



**Fig. 3** Installing the heater sensor

### 4.3. Installing bench sensor F2 (optional)

The bench sensor must be installed on the wall of the sauna room, above the rear bench seat. An interval of approx. 15 cm to the roof of the sauna room must be maintained.

To install the bench sensor, perform the following steps:

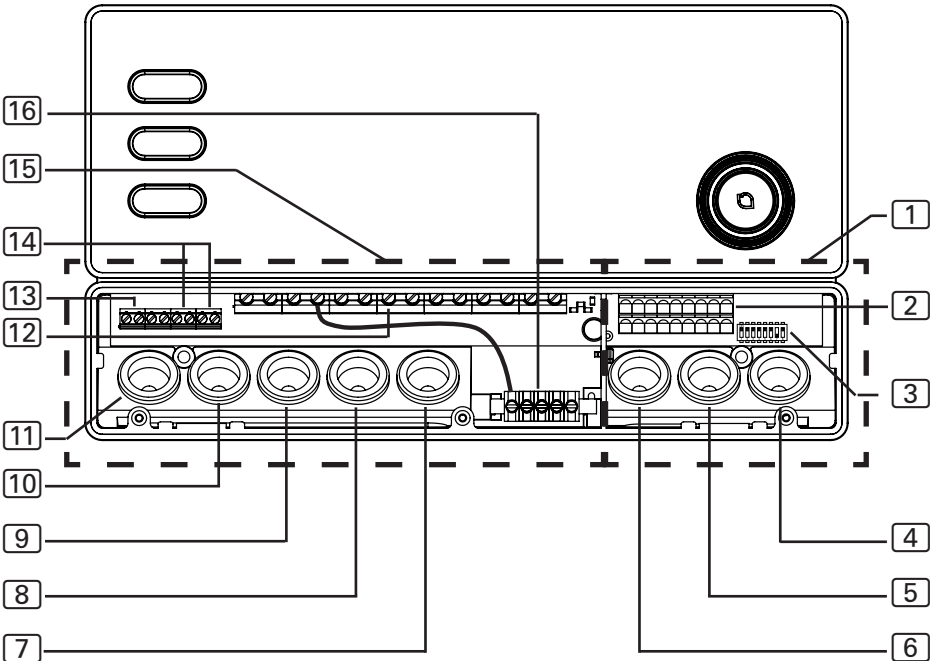
1. Lay the two 2-pin bench sensor wires in the wall of the sauna room, leading them to the bench sensor installation location and affix the bench sensor wires using wire clips.
2. Pull the two half-shells of the bench sensor apart.
3. Connect the two connectors for the bench sensor wire to the two middle terminals on the connection panel.
4. Place the connection panel crossways in the bench sensor half-shells.
5. Place the two half-shells together and screw them together using the two Phillips-head screws (9 mm).
6. Check whether the bench sensor has been securely closed.
7. Install the bench sensor on the wall of the sauna room using the two wood screws enclosed (16 mm). Maintain an interval of 15 cm to the roof of the sauna room.

## 5. Electrical connection

### ATTENTION!

#### *Damage to the unit*

- The sauna control unit may only be used for operating and controlling 3 heating circuits with a maximum heating capacity of 3.5 kW per heating circuit.



- |   |   |
|---|---|
| 1 Low-voltage connection area   | 8 Cable bushing for heater wire                     |
| 2 Terminal strips for safety shut-off device, remote start and sensor wires | 9 Cable bushing for power supply cable              |
| 3 Function selection switch   | 10 Cable bushing for power booster                  |
| 4 Cable bushing for F2 sensor   | 11 Cable bushing for light                          |
| 5 Cable bushing for F1 sensor   | 12 Terminal strip for heater and power supply cable |
| 6 Cable bushing for safety shut-off device and remote start                 | 13 Terminal strip light                             |
| 7 Cable bushing (leave free)  | 14 Terminal strip for power booster                 |
|   | 15 Connection area for 230 V / 400 V                |
|   | 16 Earth rail                                       |

Observe the following points when connecting the power to the sauna control unit:

- Installation may only be performed by a qualified electrician or similarly qualified person.



Please observe that in the event of a guarantee claim, a copy of the bill from the electrician performing the work must be presented.

- Work on the sauna control unit may only be performed when the power has been disconnected.
- There must be a fixed connection for the electrical power supply.
- A three-phase shut-off device with a 3 mm contact opening must be provided during installation. This is provided by the fuse.
- Observe the connection diagram (**Fig. 4**) on page 20.

## 5.1. Connecting the power supply cable and heater cable

1. Guide the power supply and heater cable through the cable bushings **9** and **8** into the connection area for 230 V/400 V **15**.
2. Connect the power supply cables to the terminal strip **12** in accordance with the connection diagram. Observe the operating instructions for the respective devices.

## 5.2. Connecting the light

1. Guide the light cable through the cable bushing **11** into the connection area for 230 V/400 V **15**.
2. Connect the light cable to the terminal strip **13** in accordance with the connection diagram. Observe the operating instructions for the respective device.

### 5.3. Connecting the power booster (optional)

1. Guide the cable for the power booster through the cable bushing **10** into the connection area for 230 V/400 V **16**.
2. Connect the cable for the power booster to the terminal strip **14** in accordance with the connection diagram. To do so, use terminal “**ST1**” for the safety circuit, and terminal “**ST2**” for the control circuit. Observe the operating instructions for the respective device.

### 5.4. Connecting heater sensor F1

1. Guide the wires for the heater sensor through the cable bushing **5** into the low-voltage connection area **1**.
2. Connect the red wires for the heater sensor to the terminals labelled “**STB**” in terminal strip **2**.
3. Connect the white wires for the heater sensor to the terminals labelled “**F1**” in terminal strip **2**.

### 5.5. Installing bench sensor F2 (optional)

1. Guide the wires for the bench sensor through the cable bushing **4** into the low-voltage connection area **1**.
2. Connect the wires for the bench sensor to the terminals labelled “**F2**” in terminal strip **2**.

### 5.6. Connecting the safety shut-off device

EN 60335-2-53 states that sauna control units with a remote start or preset timer function may only be used for operating and regulating a sauna heater which has satisfied the combustion test described in paragraph 19.101. Alternatively, a suitable safety shut-off device can be installed in or above the heater. This shuts the sauna heater off when objects, e.g. a towel, are placed on the sauna heater.



To install the safety shut-off device, perform the following steps:

1. Install the safety shut-off device in accordance with the operating instructions for the device.
2. Guide the wires for the safety shut-off device through the cable bushing **6** into the low-voltage connection area **1**.
3. Connect the wires to the terminals labelled “**OSG**” in terminal strip **2**.

## 5.7. Remote start

This is connected using terminals “**S**”, “**B**” and “**C**”. “**S**” stands for sauna mode. “**B**” is a +24 V DC output. This must be activated using a switch or an actuator on terminal “**S**”.

## 5.8. Finishing installation

1. Connect the earth conductor for the power supply cable and all devices to the earth rail **16**.
2. Place the cover of the housing on the upper edge of the junction box.
3. Push the clip locks inwards lightly, and turn the cover of the housing downwards until it engages audibly.

## 6. Performing tests

The following tests must be performed by a certified electrical fitter.

**WARNING!**

***The following tests must be performed with the power supply switched on. There is a danger of electric shock.***

- NEVER touch live parts.
- 

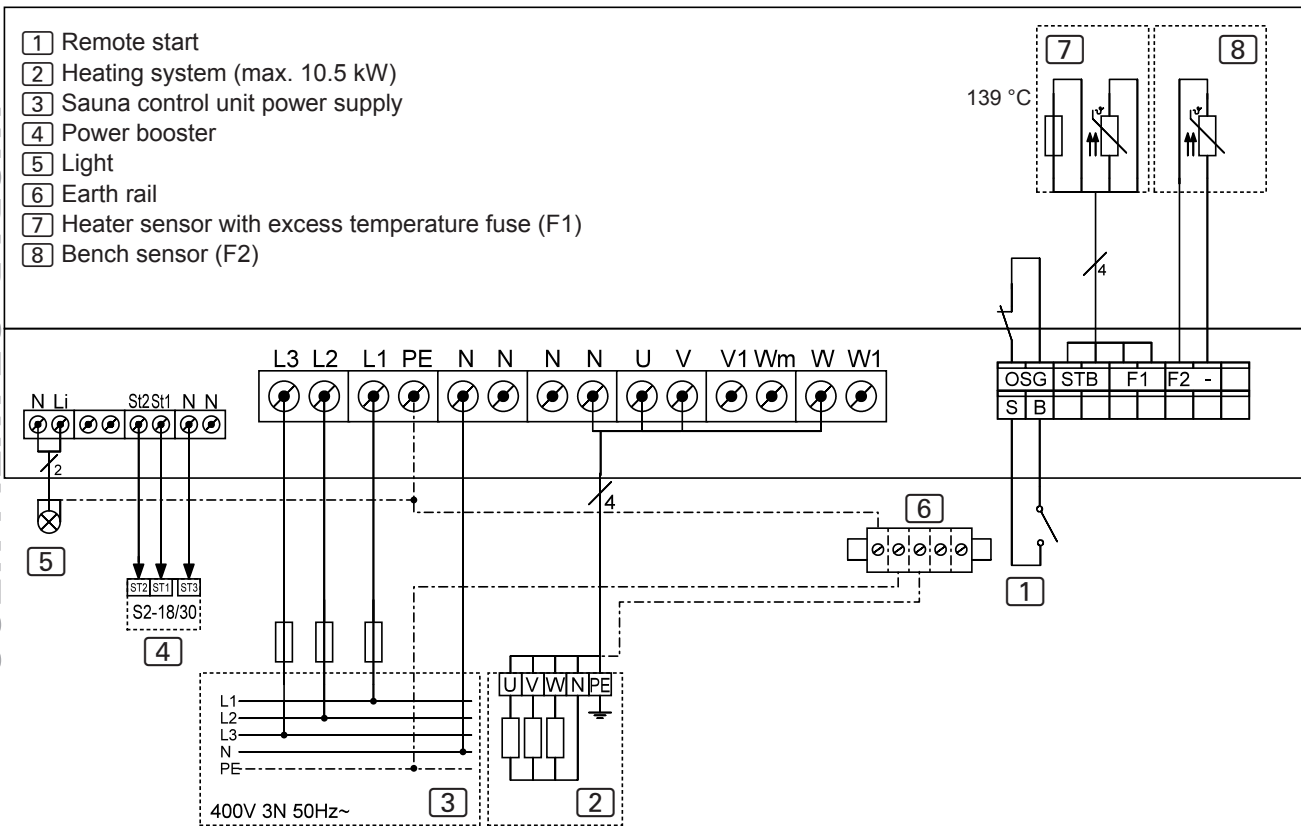
1. Check the contact of the earth conductors on the earth conductor terminal.
2. Check the excess temperature fuse on the heater sensor F1.
  - a. Switch on the sauna control unit.
  - b. Open the heater sensor and disconnect one of the two red wires for the heater sensor.
    - ▶ “Err” shows in the top display, “02” shows in the bottom display, and the control unit switches off the heater.
  - c. Switch off the sauna control unit.
  - d. Reconnect the red wire for the heater sensor.
  - e. Now disconnect one of the white wires for the heater sensor.
  - f. Switch on the sauna control unit.
    - ▶ “Err” shows in the top display, “04F1” shows in the bottom display and the control unit switches off the heater.
  - g. Switch off the sauna control unit.
  - h. Reconnect the white wire for the heater sensor.
3. Check the phase circuit for sauna mode L1, L2, L3 is connected to U, V, W.
4. Check the maximum permissible heating output of 3.5 kW per phase on the sauna control unit.

5. When there is an optional power booster:
  - a. Check the control wires ST1, ST2 and ST3.
  - b. Check the maximum permissible heating output of 3 kW per phase on the power booster S2-18.
  - c. Check the maximum permissible heating output of 7 kW per phase on the power booster S2-18.

## 7. Connection diagram

Fig. 4 Connection diagram

WORLD OF WELLNESS



## 8. Starting-up

The function selection switch in the low-voltage connection area allows a variety of product functions to be activated. The figure at the right shows the standard setting for the function selection switch.

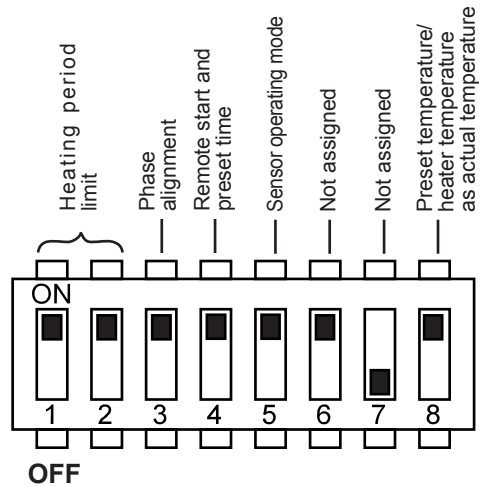


Fig. 5 Function selection switch - Standard setting

### 8.1. Setting the heating period limit

The maximum heating period is set to 6 hours as standard. The sauna control unit shuts down automatically after the maximum heating period for safety reasons.

The function selection switch in the low-voltage connection area allows the maximum heating period to be set to 12 hours, 18 hours or 24 hours. The required positions of the function selection switch can be found in the table on the right.

Function selection switch	1	2
6 hours	ON	ON
12 hours	OFF	ON
18 hours	ON	OFF
24 hours	OFF	OFF



The EN 60335-2-53 specifies a maximum heating period limit of 6 hours for private saunas. For saunas in hotels, apartment blocks and similar locations, a maximum heating period limit of 12 hours is permissible. Extending the heating period limit to 18 hours or 24 hours is only permitted in public saunas.

## 8.2. Activating/deactivating phase alignment

Phase alignment is activated or deactivated using the function selection switch **3**.

- The function selection switch **3** is set to the ON position as standard. Phase alignment is therefore activated.
- If you wish to deactivate phase alignment, place the function selection switch **3** in the OFF position.

## 8.3. Activating/deactivating the remote start and preset time function

The remote start and preset time functions are activated or deactivated using the function selection switch **4**. The remote start and preset time functions can only be activated and deactivated together.

- The function selection switch **4** is set to the ON position as standard. The remote start and preset time functions are then activated.
- If you wish to deactivate the remote start and preset time functions, place the function selection switch **4** in the OFF position.



EN 60335-2-53 states that sauna control units with a remote start and preset time function may only be used with sauna heaters which satisfy the combustion test described in paragraph 19.101 of EN 60335-2-53. Alternatively, a suitable safety shut-off device can be installed in or above the heater. Observe the information in the operating instructions for your sauna heater.

## 8.4. Activating/deactivating the single-sensor mode

In single-sensor mode, the sauna control unit is operated with the heater sensor with an excess temperature fuse (F1) only. The single-sensor mode must be activated above the function selection switch **5**.

- The function selection switch **5** is set to the ON position as standard. Two-sensor mode is therefore activated.
- If you wish to deactivate single-sensor mode, place the function selection switch **5** in the OFF position.

## 8.5. Displaying the heater temperature in single-sensor mode

In single-sensor mode, the sauna control unit only displays the set temperature as standard. The actual temperature is not displayed. Should the sauna control unit display the temperature above the heater (F1) as an actual temperature in single-sensor mode, it must be activated with the function selection switch **8**.

- The function selection switch **8** is set to the ON position as standard. Therefore only the set temperature is displayed.
- Should the temperature above the heater be displayed as an actual temperature, place the function selection switch **8** in the OFF position.



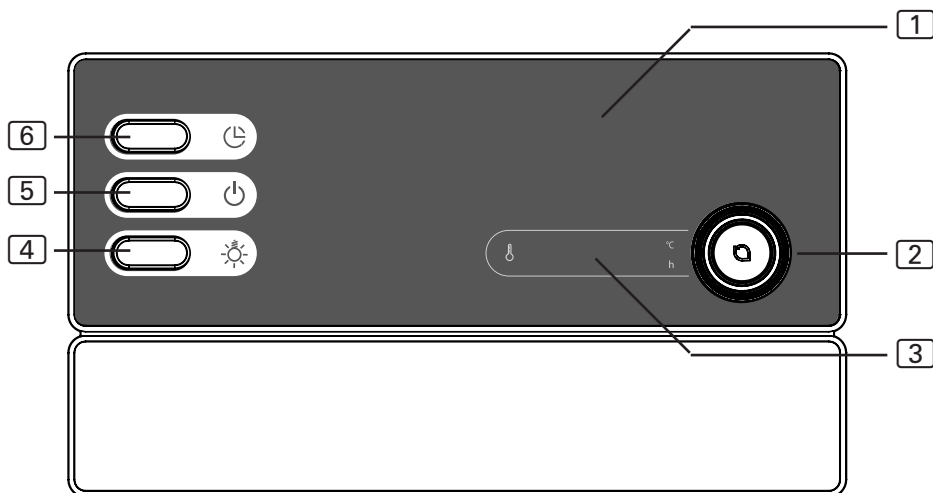
---

Ensure that the temperature above the heater is always higher than the temperature in the area of the bench seat. With the heater temperature as the actual temperature, the temperature displayed by the sauna control unit is higher than the temperature measured by your sauna room thermometer.

---

## 9. Operation

### 9.1. Operating elements



[1] Additional display

[2] Temperature selector

[3] Temperature display

[4] Light switch

[5] ON/OFF switch

[6] Preset time button

### 9.2. Switching on the light

The light in the sauna room can be switched on and off independently of the ON/OFF switch [5].

- To switch the light on or off on the power unit, press the light switch [4].



### 9.3. Switching on the sauna control unit

**WARNING!*****Risk of fire***

Flammable objects that are placed on the sauna heater could ignite and cause fires.

- NEVER place flammable objects on the sauna heater.
- Make sure that NO flammable objects have been placed on the sauna heater before the sauna control unit is switched on.

- Press the ON/OFF switch **[5]**, to switch on the sauna control unit.
  - ▶ In the temperature display **[3]**, “0” appears for a few seconds. Then the current temperature in the sauna room is displayed. In single-sensor mode, the previously set preset temperature is displayed.

### 9.4. Starting the sauna

1. Use the temperature selector **[2]** to set the preferred temperature.
  - ▶ The temperature selector **[2]** flashes and the preset temperature is shown in the temperature display **[3]**.
2. Press the temperature selector **[2]**.
  - ▶ The sauna heater is switched on and begins to heat up.
  - ▶ Then the current temperature in the sauna room is displayed in the temperature display **[3]**. In single-sensor mode, the preset temperature is displayed.

## 9.5. Changing the preset temperature

You can change the preset temperature during operation any time.

- Turn the temperature selector **[2]** to the right to increase the temperature.  
Turn the temperature selector **[2]** to the left to decrease the temperature.
  - ▶ The temperature selector **[2]** flashes and the preset temperature is shown in the temperature display **[3]**.
  - ▶ Then the current temperature in the sauna room is displayed again in the temperature display **[3]**. In single-sensor mode, the preset temperature is displayed.

## 9.6. Setting the preset time

You can set the preset time in 15 minute intervals. The maximum preset time totals 24 hours. The preset time is shown in hours and minutes, e.g. 8 hours and



### **WARNING!**

#### ***Risk of fire***

Flammable objects that are placed on the heater will ignite and cause fires.

- NEVER place flammable objects on the sauna heater.
- Make sure that NO flammable objects have been placed on the sauna heater before you activate the preset timer function.

15 minutes is shown as 8.15.

1. Start the sauna heater (see point **9.4. Starting the sauna** on page **25**).
2. Press the preset time button **[6]**.
  - ▶ The temperature selector **[2]** flashes and the previously set preset time is shown in the temperature display **[3]**.
3. Press the preset time button **[6]**, to increase the preset time in 15 minute intervals.
4. Once you have reached the required preset time, wait a few seconds.
  - ▶ The sauna control unit changes to standby mode and the timer starts running.
  - ▶ The remaining preset time is shown in the temperature display **[3]**. The temperature selector **[2]** and the point between the hours and minutes flash.
  - ▶ Once the preset time has elapsed, the sauna heater switches on.

## 9.7. Cancelling the preset time function

- Press and hold down the preset time button **[6]** for a second to cancel the preset time function.
  - ▶ The preset time countdown is cancelled.
  - ▶ Then the current temperature in the sauna room is displayed in the temperature display **[3]**. In single-sensor mode, the preset temperature is displayed.

## 9.8. Switching off the sauna control unit

- Press the ON/OFF switch **[6]**, to switch off the sauna control unit.
  - ▶ The temperature display **[4]** goes out.
  - ▶ The sauna control unit is switched off.

## 10. Cleaning and maintenance

### 10.1. Cleaning

---

**ATTENTION!*****Damage to the unit***

The sauna control unit is protected against jets of water, however direct contact with water could still damage the unit.

- Never immerse the device in water.
  - Never pour water over the device.
  - Never clean the device with a cloth which is too wet.
- 

1. Immerse a cleaning cloth in a mild, soapy solution.
2. Wring the cleaning cloth out well.
3. Wipe the sauna control unit housing carefully.

### 10.2. Maintenance

The sauna control unit is maintenance-free.

## 11. Disposal



- Please dispose of packaging materials in accordance with the applicable disposal regulations.
- Used devices contain reusable materials and hazardous substances. Therefore, do not dispose of your used device with household waste, but do so in accordance with the locally applicable regulations.

## 12. Troubleshooting

### **Error messages**

The sauna control unit is equipped with diagnostic software which monitors system statuses when it switches on and during operation. As soon as the diagnostic software identifies an error, the sauna control unit switches the sauna heater off.

Errors are indicated by a recurring warning tone and by flashing on the temperature selector [3]. Furthermore, "Err" appears in the additional display [1]. The error number appears in the temperature display [3].

Switch the sauna control unit off using the ON/OFF switch [5] and rectify the error before switching the sauna control unit on again.

The following table describes the possible errors and their causes. If necessary, tell the error number to your customer service specialist.

<i>Error</i>	<i>Description</i>	<i>Cause/rectification</i>
01	Safety shut-off	An object has been placed on the sauna heater. Remove any objects before starting up the sauna heater again.
02	Safety temperature limiter	The maximum temperature of 139 °C has been exceeded above the heater.
04F1	Heater sensor error	Defective heater sensor, poor contact, or short circuit.
06F2	Bench sensor error	Defective bench sensor, poor contact, or short circuit.

EN

## 13. Technical data

### **Ambient conditions**

Storage temperature:	-25 °C to +70 °C
Ambient temperature:	-10 °C to +40 °C
Relative humidity:	max. 95%

### **Sauna control unit**

Dimensions:	307 x 175 x 57 mm
Switched voltage/three-phase 3N:	400 V AC
Frequency:	50 Hz
Contact rating/heater:	3 x 3.5 kW
Switched current per phase/heater:	16 A
Rated voltage:	230 V
Protection type (protected against jets of water):	IPX4
Connection to the mains supply as fixed wiring (fixed connection)	

### **Light**

Contact rating:	100 W
Fuse:	1A T

### **Setting ranges**

Temperature:	30 °C to 110 °C
--------------	-----------------

### **Thermal safety**

Heater sensor with excess temperature fuse (139 °C shut-off temperature)  
 Adjustable automatic heating period (6 h, 12 h, 18 h, 24 h)\*  
 Optional single-sensor mode or two-sensor mode

### **Connection cables**

Power supply cable:	min. 5 x 2.5 mm <sup>2</sup>
Heater supply cable (temperature-resistant up to 150 °C):	min 2.5 mm <sup>2</sup>
Sensor wires (temperature-resistant up to 150 °C):	min 0.75 mm <sup>2</sup>
Light wire:	min. 1.5 mm <sup>2</sup>

\* EN 60335-2-53 specifies a heating time limitation of 6 h for saunas for private use. For saunas in hotels, apartment blocks and similar locations, a maximum heating period limit of 12 hours is permissible. Extending the heating period limit to 18 hours or 24 hours is only permitted in public saunas.



## 1. Concernant ces instructions

Lisez attentivement les instructions de montage et le mode d'emploi présents et conservez-les à proximité de la commande de sauna. Vous pouvez ainsi consulter à tout moment des informations concernant son utilisation et relatives à votre sécurité.



Vous trouverez également ces instructions de montage et ce mode d'emploi dans la rubrique de téléchargement de notre site Internet [www.sentiotec.com](http://www.sentiotec.com).

### ***Symboles d'avertissement***

Dans les instructions de montage et le mode d'emploi présents, un avertissement précède les activités représentant un danger. Conformez-vous impérativement à ces avertissements. Vous éviterez ainsi des dommages matériels et des blessures qui, dans le pire des cas, peuvent être mortelles.

Ces avertissements utilisent des termes clés qui ont la signification suivante :



#### **DANGER**

Si vous ne respectez pas cet avertissement, il y a un risque de blessures graves, voire mortelles.



#### **AVERTISSEMENT**

Si vous ne respectez pas cet avertissement, il y a un risque éventuel de blessures graves, voire mortelles.



#### **PRUDENCE**

Si vous ne respectez pas cet avertissement, il y a un risque éventuel de blessures légères.

#### **ATTENTION**

Ce terme clé vous avertit de dommages matériels éventuels.

### ***Autres symboles***



Ce symbole désigne les conseils et indications utiles.







WORLD OF WELLNESS

**sentiotec GmbH world of wellness** Oberregauer Straße 48 4844 Regau, Austria

T +43 (0) 7672/277 20-800 F +43 (0) 7672/277 20-801

E [info@sentiotec.com](mailto:info@sentiotec.com) [www.sentiotec.com](http://www.sentiotec.com)